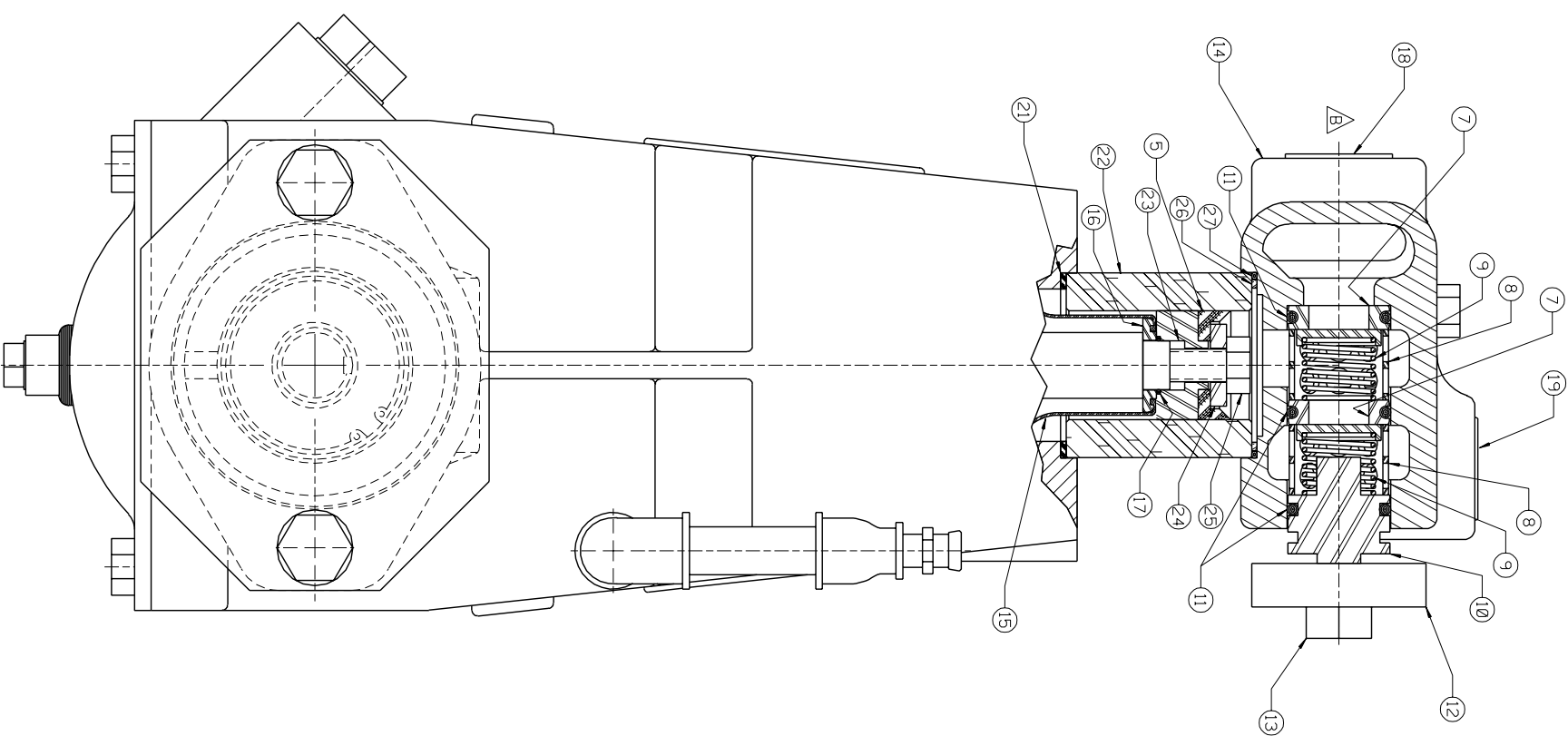
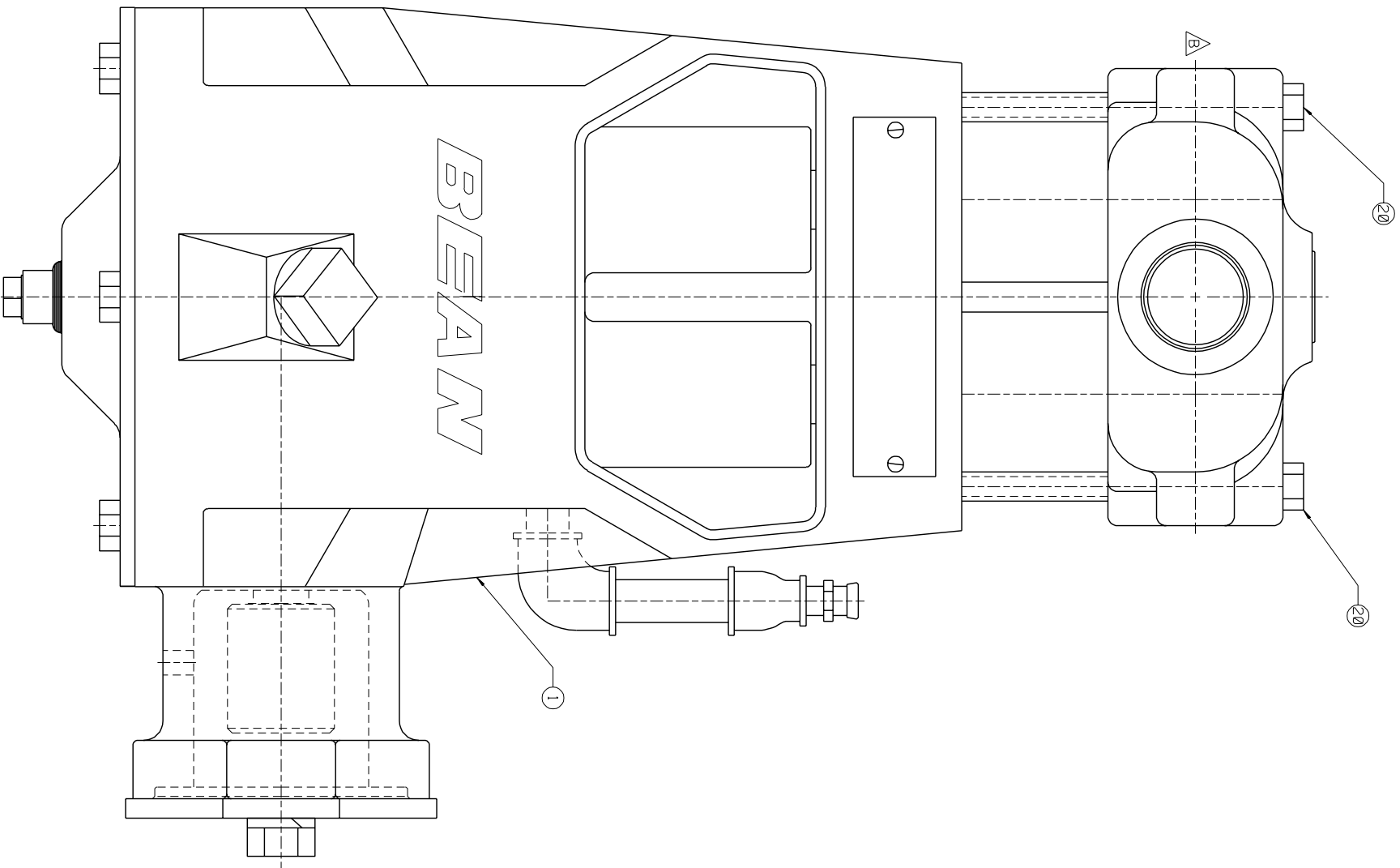


* THESE COMPONENTS ARE LOCATED IN THE FLUID CYLINDER GROUP, ITEM (2)
 ** THESE COMPONENTS ARE LOCATED IN THE ATTACHING GROUP, ITEM (3)
 *** THESE COMPONENTS ARE LOCATED IN THE CYLINDER GROUP, ITEM (4)



ITEM NO.	PART NO.	PART NAME
1	3269004	POWER END ASSEMBLY:
2	P502384	FLUID CYLINDER GROUP:
3	5273637	ATTACHING GROUP:
4	3267985	CYLINDER GROUP:
5	3267349	CUP: 1 $\frac{5}{8}$ " HSN, EMERALDITE COATED
6	5266228	LIT KIT:
7	1219615	VALVE SEAT:
8	1219610	CAGE:
9	3266811	DISC & SPRING ASSEMBLY:
10	1219614	VALVE COVER:
11	3264075	O-RING: 1 $\frac{3}{8}$ " OD X $\frac{1}{8}$ " NOM., BUNA-N
12	1255887	VALVE COVER CLAMP:
13	1100064	HEX HD CAP SCREW: 1 $\frac{1}{2}$ -13 X 1 $\frac{1}{2}$ " LG.
14	P502383	FLUID CYLINDER: O-RING PORTS
15	1279148	UMBRELLA: BLACK
16	1269388	UMBRELLA WASHER:
17	1101339	O-RING: 1 $\frac{1}{8}$ " OD X $\frac{1}{16}$ " NOM., BUNA-N
18	1177200	CAPPLUG: INT. 12
19	1177199	CAPPLUG: INT.
20	1101262	HEX HD CAP SCREW: 3/8-16 X 5" LG.
21	A91684	CYLINDER GASKET:
22	1241364	CERAMIC CYLINDER:
23	1282557	PACKING HOLDER:
24	5257986	PACKING WASHER:
25	1284516	HEX HD CAP SCREW: 5/8-18 X 1 $\frac{1}{2}$ " LG.
26	1285170	SEAL RING:
27	1177841	O-RING: 2 $\frac{1}{8}$ " OD X $\frac{1}{16}$ " NOM., BUNA-N

NOTES:

- TORQUE ITEMS 13, 20 & 25 PER ENGINEERING SPEC. AS-22
 - TEST AT 500 RPM, 750 PSI
 - RETORQUE ALL ITEM 20'S AFTER TEST
 - STAMP NAMEPLATE WITH THE FOLLOWING DATA:
 MODEL NO. - A0413
 PART NO. - P508963
 POWER - 3.5 HP/4.0 KW
 FLOW - 9 GPM/34 LPM
 MAX PRESSURE - 750 PSI/5170 KPA
 SERIAL NO. - _____
- \triangle 5 PAINT PER ENGR SPEC CP-36

REV	DESCRIPTION	DATE	BY	CHKD.	APPD.
D	ADD EDD	05-14-99	BKM	BKM	
C	REV NOTE 5	05-12-99	SJK	BKM	
B	REVERSE FLD CYL	05-12-99	SJK	BKM	
A	NEW ISSUE	05-12-99	SJK	BKM	
REV	WAS	05-13-99	ECN	APPD.	

FMCI Energy Systems

P508963