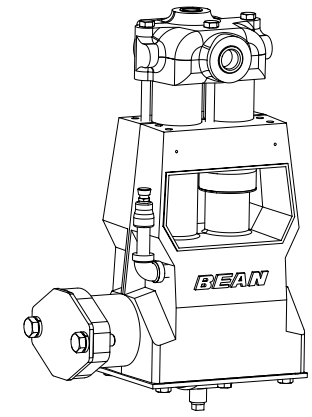
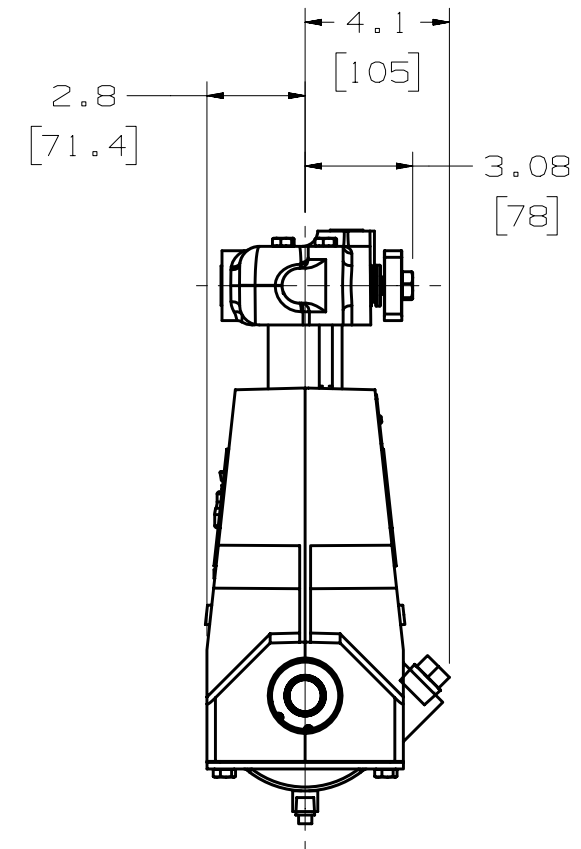
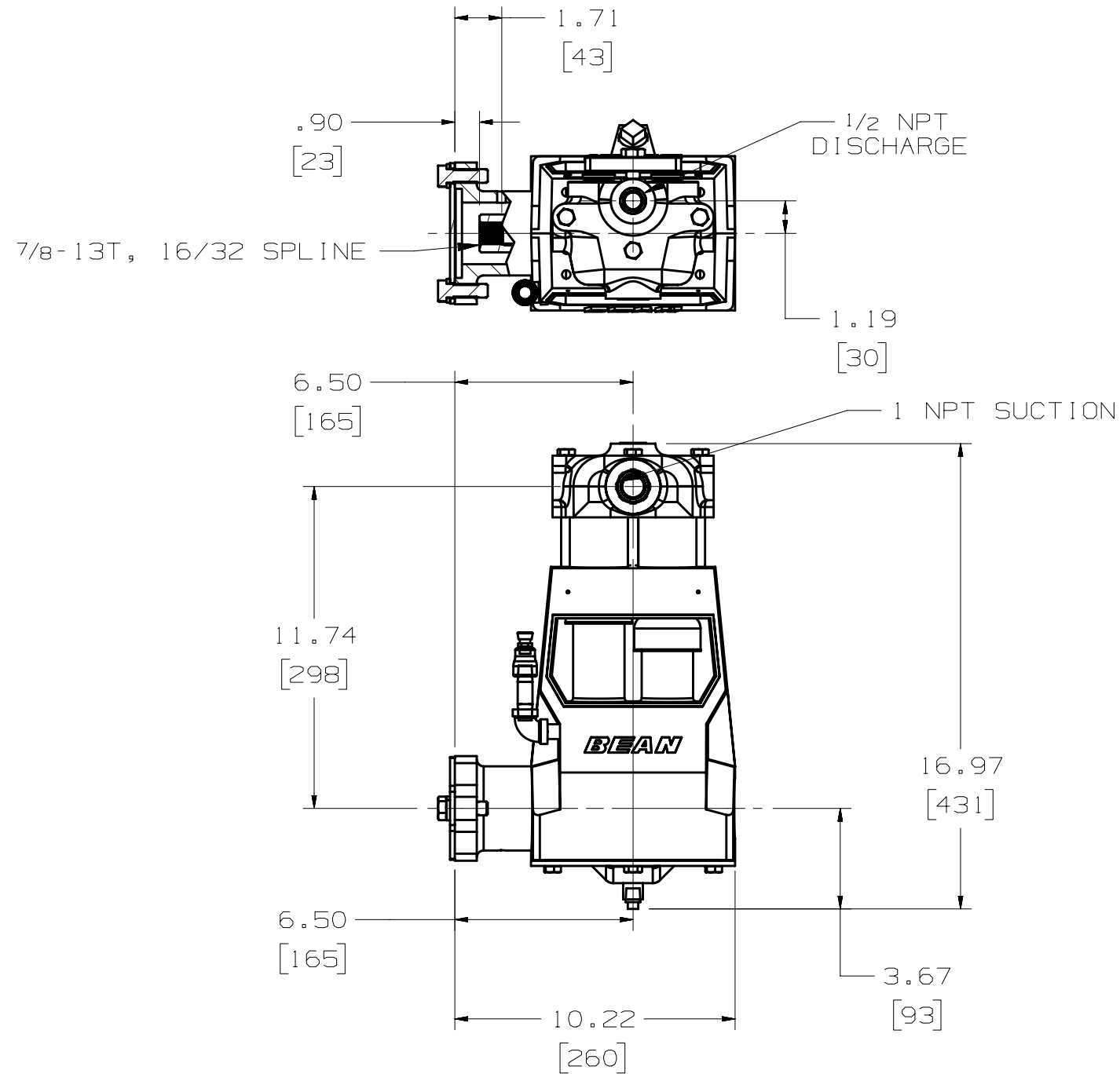


SECTION A-A

ITEM	DESCRIPTION	QTY
1	POWER END ASSEMBLY:	1
2	FLUID CYLINDER:	1
3	SPRING AND DISC ASSEMBLY:	4
4	SEAT:	4
5	VALVE CAGE:	4
6	CYLINDER:	2
7	PISTON CUP:	2
8	PISTON HOLDER: A04	2
9	UMBRELLA: F/E04	2
10	WASHER: UMBRELLA	2
11	CUP WASHER: A04	2
12	CAP SCREW: HEX HEAD, 5/16 X 1.50 LG	2
13	RING SEAL: CYLINDER	2
14	VALVE COVER:	2
15	VALVE COVER CLAMP:	1
16	CAP SCREW: HEX HEAD, 1/2 X 1.50 LG	1
17	CAP SCREW: HEX HEAD, 3/8 X 5.00 LG	3
18	THREAD PROTECTOR: CAPPLUGS #T-9	1
19	THREAD PROTECTOR: CAPPLUGS #T-12	1
20	GASKET: VALVE COVER	2
21	O-RING: UNIFORM #135	2
22	O-RING: UNIFORM #213	6
23	O-RING: UNIFORM #112	2



PRIVATE AND CONFIDENTIAL THIS DOCUMENT AND ALL THE INFORMATION CONTAINED HEREIN ARE THE CONFIDENTIAL AND EXCLUSIVE PROPERTY OF THE TECHNOLOGIES AND MAY NOT BE REPRODUCED, COPIED, DISCLOSED, OR USED IN ANY MANNER WITHOUT THE WRITTEN AUTHORIZATION OF THE TECHNOLOGIES. THIS DOCUMENT IS ACCEPTED PURSUANT TO AN AGREEMENT TO MAINTAIN CONFIDENTIALITY AND SHALL BE RETURNED TO THE TECHNOLOGIES UPON REQUEST. THIS DOCUMENT SHALL BE CONSIDERED THE TECHNOLOGIES' PROPERTY, AND THAT ANY INFORMATION CONTAINED HEREIN IS UNCLASSIFIED AND NOT BE RELEASED FOR THE USE OF SALE BY MANUFACTURER OR ANY OTHER PERSON OR ENTITY WITHOUT PRIOR EXPRESS WRITTEN AUTHORIZATION BY THE TECHNOLOGIES.	DO NOT SCALE THIS DRAWING ALL DIMENSIONS ARE IN INCHES (MM) UNLESS OTHERWISE SPECIFIED BREAK SHARP EDGES .015 (1.381) MAXIMUM INSIDE CORNER RADIUS .030 (1.782) MAXIMUM TOLERANCES CONFORM TO FEDERAL STANDARD H-28 TAPERED THREADS CONFORM TO API 6A HOLE HOLES MUST STRADDLE COMMON CENTERLINE UNLESS OTHERWISE SPECIFIED BY THE TECHNOLOGIES.	TOLERANCE .X . . . + .000 (1.782)1 .XX . . . + .015 (1.381)1 .XXX . . . + .005 (1.127)1 ANGLE . . . ± 30°	DESCRIPTION PUMP ASSEMBLY: A0413C LH, W/1 NPT X 1/2 NPT FLUID END, DISC VALVE ASSEMBLIES, HYD DRIVE	DRAWN BY MORRIS, BRADLEY	DATE 22-AUG-2005	CHECKED BY MORRIS, BRADLEY	DATE 22-AUG-2005	DESIGN REVIEW BY LYON, TIM	DATE 04-JAN-2006	MANUFACTURING PRODUCT CHARLTON, FRED	DATE 03-JAN-2006	APPROVED BY RICHARDS, KEITH T.	DATE 23-JAN-2006	PART NO. 5014536 REV. A 00500000529 COPYRIGHT © THE TECHNOLOGIES
	** RELEASED FOR MANUFACTURE ** — Published: 09/06/2007__09:13:14													



PRIVATE AND CONFIDENTIAL

THIS DOCUMENT AND ALL THE INFORMATION CONTAINED HEREIN ARE THE CONFIDENTIAL AND EXCLUSIVE PROPERTY OF FMC TECHNOLOGIES AND MAY NOT BE REPRODUCED, USED, DISCLOSED, OR MADE PUBLIC IN ANY MANNER PRIOR TO EXPRESS WRITTEN AUTHORIZATION BY FMC TECHNOLOGIES. THIS DOCUMENT IS ACCEPTED PURSUANT TO AGREEMENT TO THE FOREGOING, AND MUST BE RETURNED UPON DEMAND.

MANUFACTURER AGREES THAT ARTICLES MADE IN ACCORDANCE WITH THIS DOCUMENT SHALL BE CONSIDERED FMC TECHNOLOGIES' DESIGN, AND THAT IDENTICAL ARTICLES OR PARTS THEREOF SHALL NOT BE MANUFACTURED FOR THE USE OR SALE BY MANUFACTURER OR ANY OTHER PERSON OR ENTITY WITHOUT PRIOR EXPRESS WRITTEN AUTHORIZATION BY FMC TECHNOLOGIES.

ENGINEERING
DIMENSIONAL
OUTLINE

DESCRIPTION

PUMP ASSEMBLY; A0413C
LH, W/1 NPT X 1/2 NPT
FLUID END, DISC VALVE
ASSEMBLIES, HYD DRIVE

DRAWN BY:

MORRIS, BRADLEY

DATE:

22-AUG-2005

DRAFTING CHECK:

MORRIS, BRADLEY

DATE:

22-AUG-2005

DESIGN REVIEW:

LYON, TIM

DATE:

04-JAN-2006

MANUFACTURING APPROVAL:

CHARLTON, FRED

DATE:

03-JAN-2006

APPROVED BY:

RICHARDS, KEITH T.

DATE:

23-JAN-2006

FMC Technologies

LATEST ECN NO. 5014536 REV. A

DRAWING NUMBER
DU500000529

COPYRIGHT FMC TECHNOLOGIES