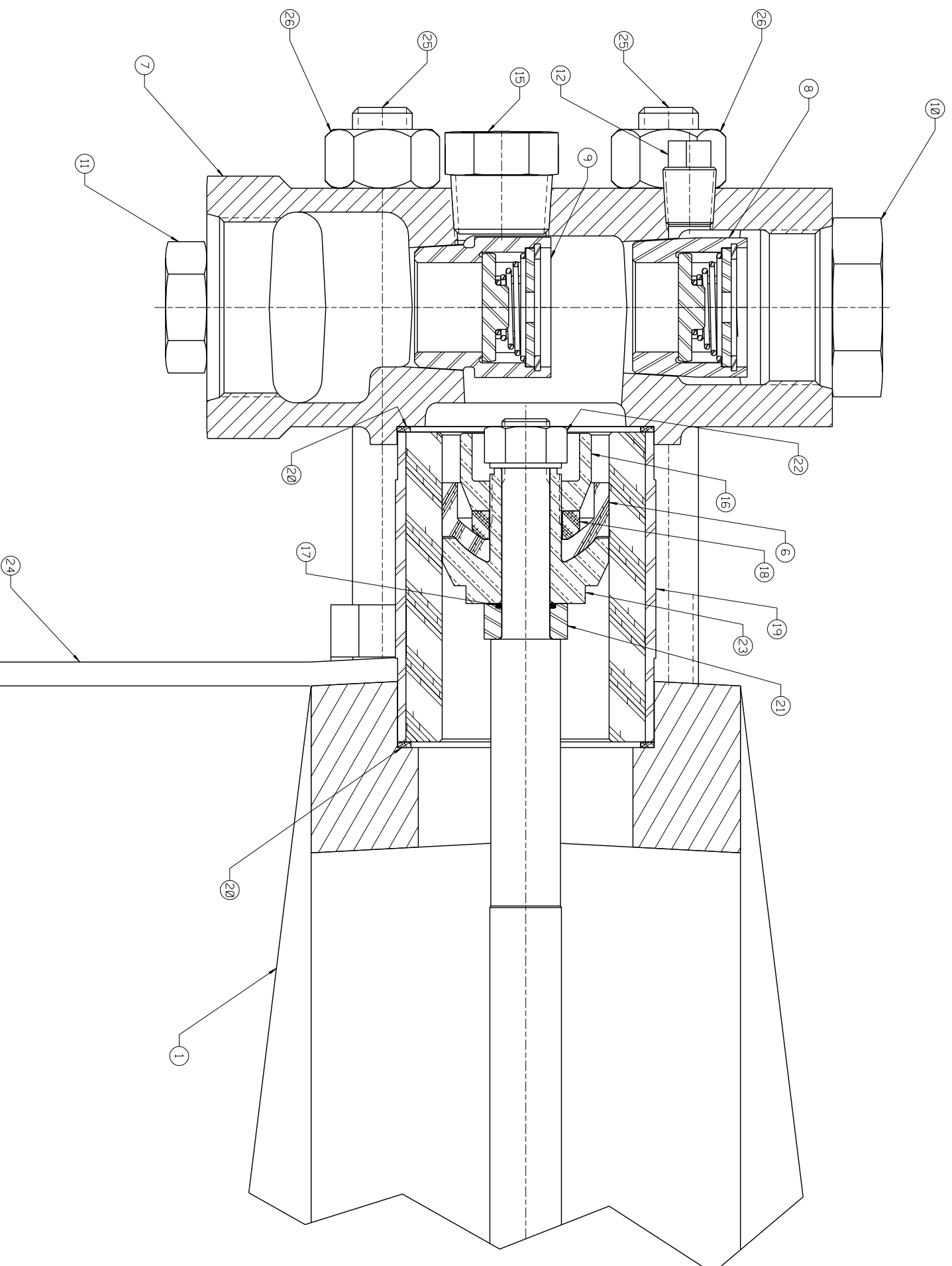


* THESE COMPONENTS ARE LOCATED IN THE FLUID CYLINDER GROUP, ITEM (2)
 ** THESE COMPONENTS ARE LOCATED IN THE CYLINDER/PISTON GROUP, ITEM (3)
 *** THESE COMPONENTS ARE LOCATED IN THE ATTACHING GROUP, ITEM (4)



ITEM NO.	NO. RECD	PART NO.	PART NAME
(1)	1	3268532	POWER END ASSEMBLY:
(2)	1	P502552	FLUID CYLINDER GROUP:
(3)	3	3268201	CYLINDER/PISTON GROUP:
(4)	1	3268146	ATTACHING GROUP:
(5)	1	5266233	LIT KIT:
(6)	3	5260052	PISTON CUP, CARBOXYLATED NITRILE
(7)	1	P502564	FLUID CYLINDER: DUCTILE IRON
(8)	3	5257291	VALVE ASSEMBLY: DISCHARGE
(9)	3	5257290	VALVE ASSEMBLY: SUCTION
(10)	2	P502588	HEX HEAD PLUG: 1 $\frac{1}{8}$ "-12, CARBON STEEL
(11)	2	3265961	HEX HEAD PLUG: 1 $\frac{3}{8}$ "-12, CARBON STEEL
(12)	3	1105666	PLUG: PIPE: 1/4" NPT, CARBON STEEL
(13)	1	1177202	CAPPLUG: INT 17S (NOT SHOWN)
(14)	1	1177203	CAPPLUG: INT 20S (NOT SHOWN)
(15)	1	P501803	PLUG: PIPE 3/4" NPT, 304 SST, HEX HEAD
(16)	3	A5016	PISTON NUT:
(17)	3	1101176	O-RING: 5/8"OD X 1/8"ID, NITRILE
(18)	3	1207289	PISTON WASHER:
(19)	3	1209139	CERAMIC CYLINDER:
(20)	6	1280024	GASKET: CYLINDER
(21)	3	1281655	SEAL HOLDER:
(22)	3	8309	HEX NUT: 1/2"-13 BRS SPECIAL
(23)	3	8495	CUP HOLDER:
(24)	1	5254219	FRONT FOOT:
(25)	8	5255827	STUD: 5/8"-11 UNC-2A X 7.19 LG
(26)	10	1121513	HEX NUT: 5/8"-11
(27)	1	1187151	PETCOCK: 1/4" BRASS ESSEX (NOT SHOWN)

NOTES:
 1 TORQUE FASTENERS PER FMC ENGR SPEC AS-22
 2 TEST PUMP PER FMC ENGR SPEC AS-15
 3 STAMP NAMEPLATE PER ENGR SPEC AS-21 WITH FOLLOWING DATA:
 IN THE RATED CONDITIONS: SPACES
 MODEL...L0618 DT
 PART NO...P508968
 RPM...516
 MAX PRESS...1000 PSI/6895 KPA
 FLOW...40 GPM/151 LPM
 POWER...28 HP/19 KW
 4 PAINT PER FMC ENGR SPEC CP-20

This drawing is the property of FMC Technologies, and may not be used, reproduced, published, or disclosed to others, without express authorization of FMC Technologies.

Unless Otherwise Specified:
 All dimensions are in inches
 Angles: 1/2°
 XX ±.005
 XXX ±.005
 Finish: 125 RMS

RELEASED FOR PRODUCTION
 ECN 5003446 DATE 05-20-99

DRAWN: SJL 05-14-99 SCALE: NONE
 CKD: WES 05-17-99 SIZE: DRAWING NO. P508968
 APPD: RMC 05-18-99

FMC Energy Systems
 PUMP ASSEMBLY
 L0618 DI, LH, W/1 $\frac{1}{8}$ "-12 X 1 $\frac{3}{8}$ "-12 PORTS
 FLUID END, CARBOXYLATED NITRILE
 PISTON CUP & 440 SST DISC VALVE
 ASSEMBLY, HYD MOTOR DRIVE

REV B NEW ISSUE
 REV A WAS

APPROV: DRG:01:28-03
 Lvl: SJL 05-14-99
 ECN BY DATE

P508968

COPYRIGHT FMC TECHNOLOGIES