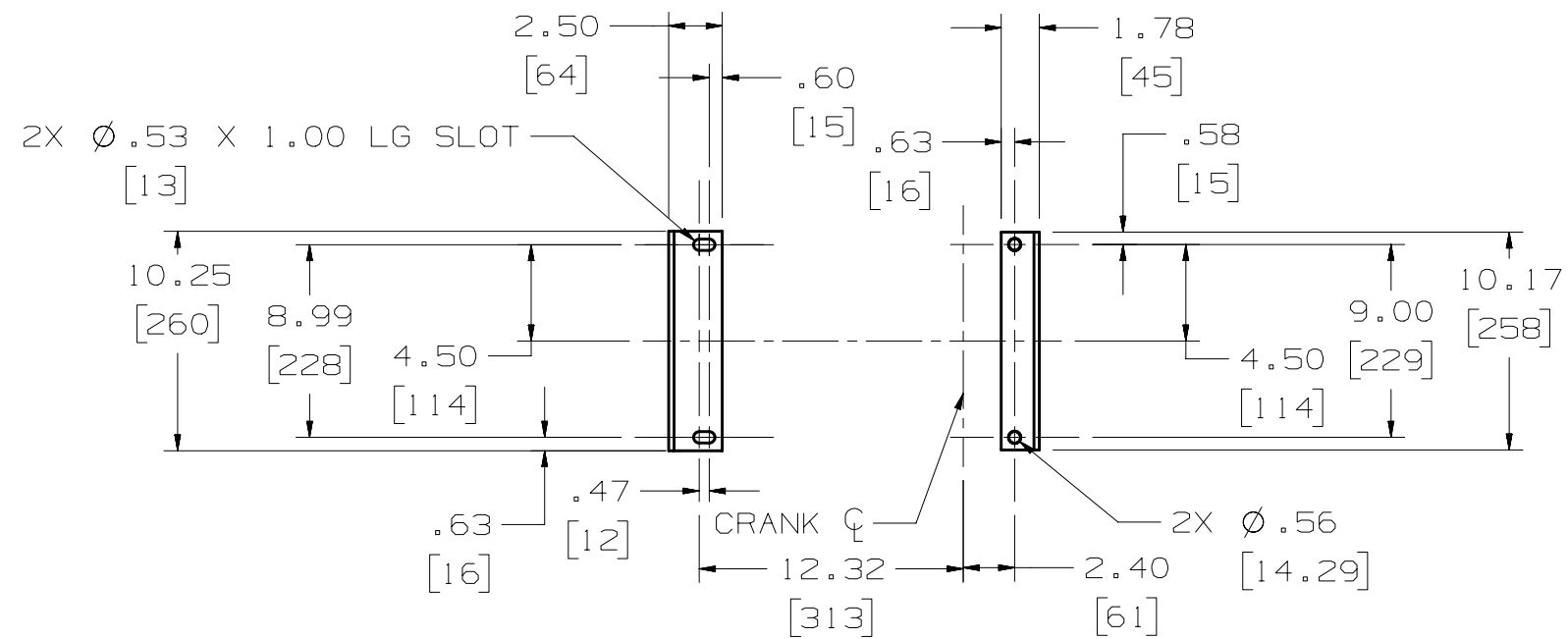
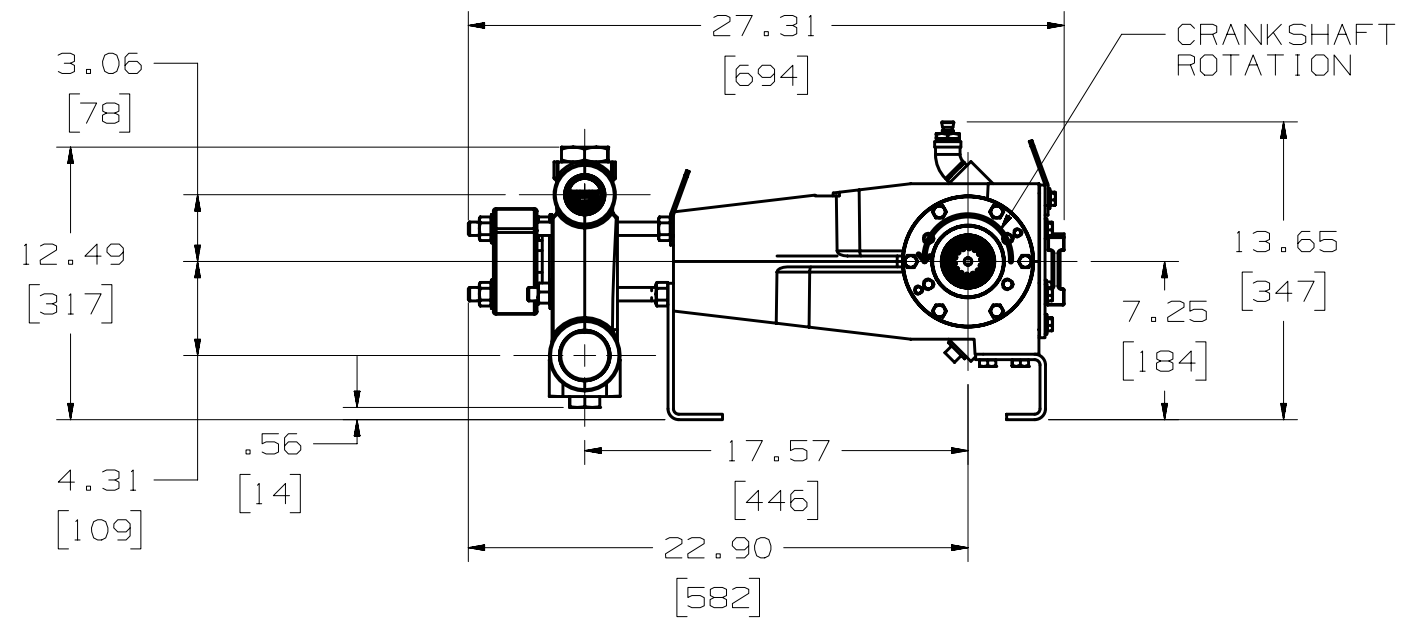
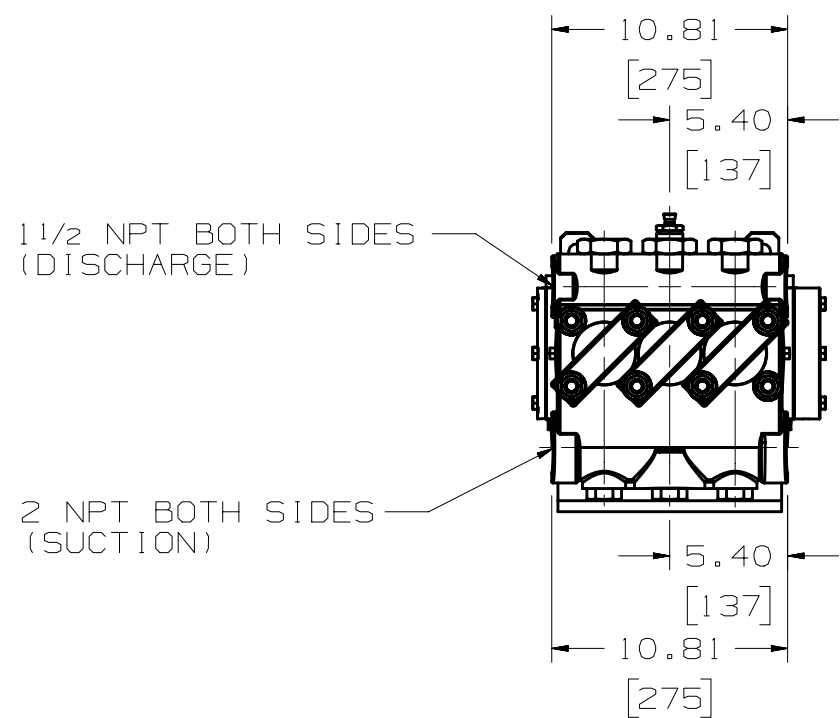
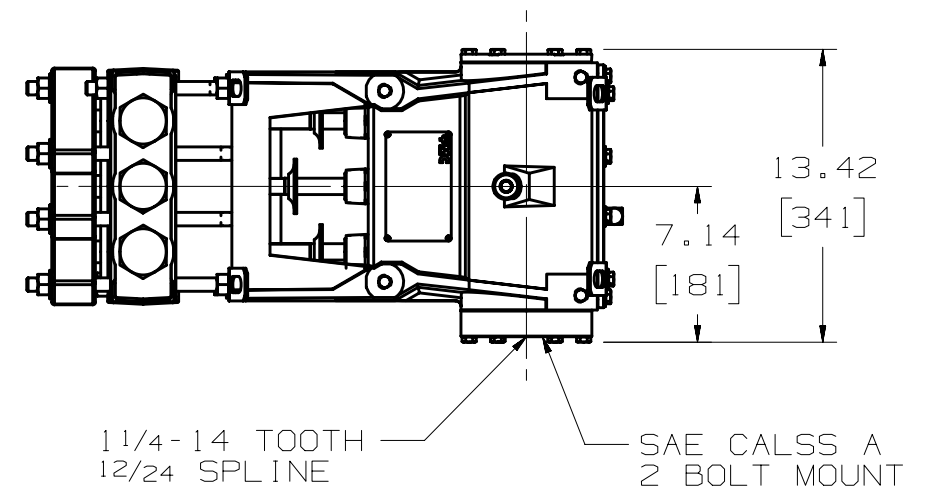


ITEM	DESCRIPTION	QTY
1	POWER END ASSEMBLY:	1
2	FLUID CYLINDER:	1
3	VALVE ASSEMBLY:	3
4	VALVE ASSEMBLY:	3
5	CYLINDER:	3
6	PISTON CUP:	3
7	PISTON HOLDER:	3
8	PLUNGER NUT:	3
9	PISTON WASHER:	3
10	CYLINDER COVER:	3
11	CYLINDER COVER CLAMP:	3
12	CYLINDER GASKET:	6
13	NUT: HEX, LOCK, LIGHT, 1/2	3
14	O-RING: UNIFORM #146	3
15	O-RING: UNIFORM #116	3
16	FRONT FOOT: F/M06/L06	1
17	STUD: 5/8 X 7.94" LG	2
18	STUD: 5/8 X 11.15 LG	6
19	HEX NUT: 5/8	12
20	WASHER: 5/8, NARROW	8
21	LIQUID LEVEL GAGE:	1
22	HEX HD, PLUG: #14 P50N	3
23	HEX HEAD PLUG: 1 7/8, W/O-RING	3
24	NAMEPLATE:	1
25	SELF TAPPING SCREW:	4
26	LIFTING EYE: FRONT	2
27	LIFTING EYE: BACK	2
28	CAPLUG: MODEL 24S (NOT SHOWN)	2
29	CAPLUG: MODEL 20S (NOT SHOWN)	2

PRIVATE AND CONFIDENTIAL THIS DOCUMENT AND ALL THE INFORMATION CONTAINED HEREIN ARE THE CONFIDENTIAL AND EXCLUSIVE PROPERTY OF THE TECHNOLOGIES AND MAY NOT BE REPRODUCED, USED, DISCLOSED, OR MADE PUBLIC IN ANY MANNER WITHOUT THE WRITTEN AUTHORIZATION OF THE TECHNOLOGIES. THIS DOCUMENT IS ISSUED PURSUANT TO AN AGREEMENT TO THE TECHNOLOGIES AND WILL BE RETURNED UPON DEMAND. MANUFACTURERS SHALL BE RESPONSIBLE FOR OBTAINING ALL NECESSARY PERMITS AND LICENSES FOR THE USE OF THIS DOCUMENT. THIS DOCUMENT SHALL BE CONSIDERED THE TECHNOLOGIES' PROPERTY, AND THAT ANY REPRODUCTION OR DISSEMINATION OF THIS DOCUMENT WITHOUT THE WRITTEN AUTHORIZATION OF THE TECHNOLOGIES IS STRICTLY PROHIBITED.	UNLESS OTHERWISE SPECIFIED ALL DIMENSIONS ARE IN INCHES (MM) BORE SHARP EDGES .015 (1.38) MAXIMUM INSIDE CORNER RADIUS .001 (1.25) MAXIMUM THREADS CONFORM TO FEDERAL STANDARD H-28 TAPPED THREADS CONFORM TO API 6A BOLT HOLES MUST STRADDLE COMMON CENTERLINE FINISH 250 RMS	TOLERANCE .X ... +.000 (-1.262) .XX ... +.015 (-1.381) .XXX ... +.005 (-1.127) INGLE ... ± .30°	DESCRIPTION PUMP ASSEMBLY: L0618 HV RH, W/2 NPT X 1-1/2 NPT FLUID END, HSN PISTON, AR VALVE ASSEMBLIES, HYD DRIVE, W/ LIFTING EYES	DRAWN BY: BOLVERTON, JARROD	DATE: 12-FEB-2008
				CHECKED BY: LOUGHELAN, STEVE	DATE: 08-APR-2008
APPROVED BY: CRUZ, GEORGE		DATE: 18-APR-2008		MANUFACTURED BY: SINGLETERRY, RONALD	DATE: 09-MAY-2008
PART NO.: 5019520		REV: A		00500009692	



FOOT PRINT & MOUNTING DETAIL



PRIVATE AND CONFIDENTIAL
 THIS DOCUMENT AND ALL THE INFORMATION CONTAINED HEREIN ARE THE CONFIDENTIAL AND EXCLUSIVE PROPERTY OF FMC TECHNOLOGIES AND MAY NOT BE REPRODUCED, USED, DISCLOSED, OR MADE PUBLIC IN ANY MANNER PRIOR TO EXPRESS WRITTEN AUTHORIZATION BY FMC TECHNOLOGIES. THIS DOCUMENT IS ACCEPTED PURSUANT TO AGREEMENT TO THE FOREGOING, AND MUST BE RETURNED UPON DEMAND.
 MANUFACTURER AGREES THAT ARTICLES MADE IN ACCORDANCE WITH THIS DOCUMENT SHALL BE CONSIDERED FMC TECHNOLOGIES' DESIGN, AND THAT IDENTICAL ARTICLES OR PARTS THEREOF SHALL NOT BE MANUFACTURED FOR THE USE OR SALE BY MANUFACTURER OR ANY OTHER PERSON OR ENTITY WITHOUT PRIOR EXPRESS WRITTEN AUTHORIZATION BY FMC TECHNOLOGIES.

ENGINEERING
 DIMENSIONAL
 OUTLINE

DESCRIPTION
 PUMP ASSEMBLY; L0618 HV RH, W/2 NPT X 1-1/2 NPT FLUID END, HSN PISTON, AR VALVE ASSEMBLIES, HYD DRIVE, W/ LIFTING EYES

DRAWN BY: WOLVERTON, JARROD DATE: 12-FEB-2008
 DRAFTING CHECK: LOUDERMILK, STEVE DATE: 08-APR-2008
 DESIGN REVIEW: EVANS, AARON DATE: 02-MAY-2008
 MANUFACTURING APPROVAL: CRUZ, GEORGE DATE: 18-APR-2008
 APPROVED BY: SINGLETERRY, RONALD DATE: 09-MAY-2008



LATEST ECN NO. 5019520 REV. A
 DRAWING NUMBER DU500009692

COPYRIGHT FMC TECHNOLOGIES