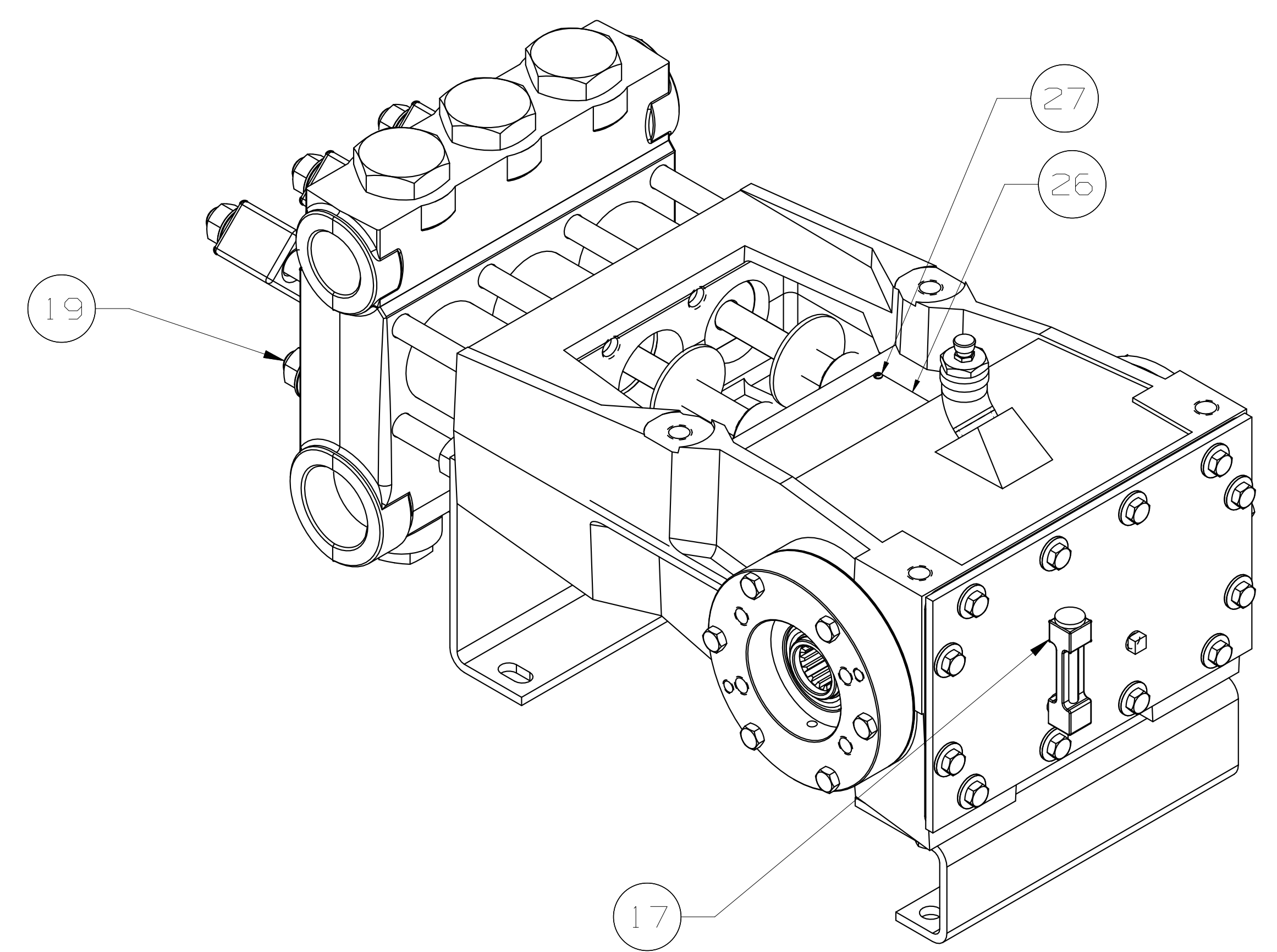
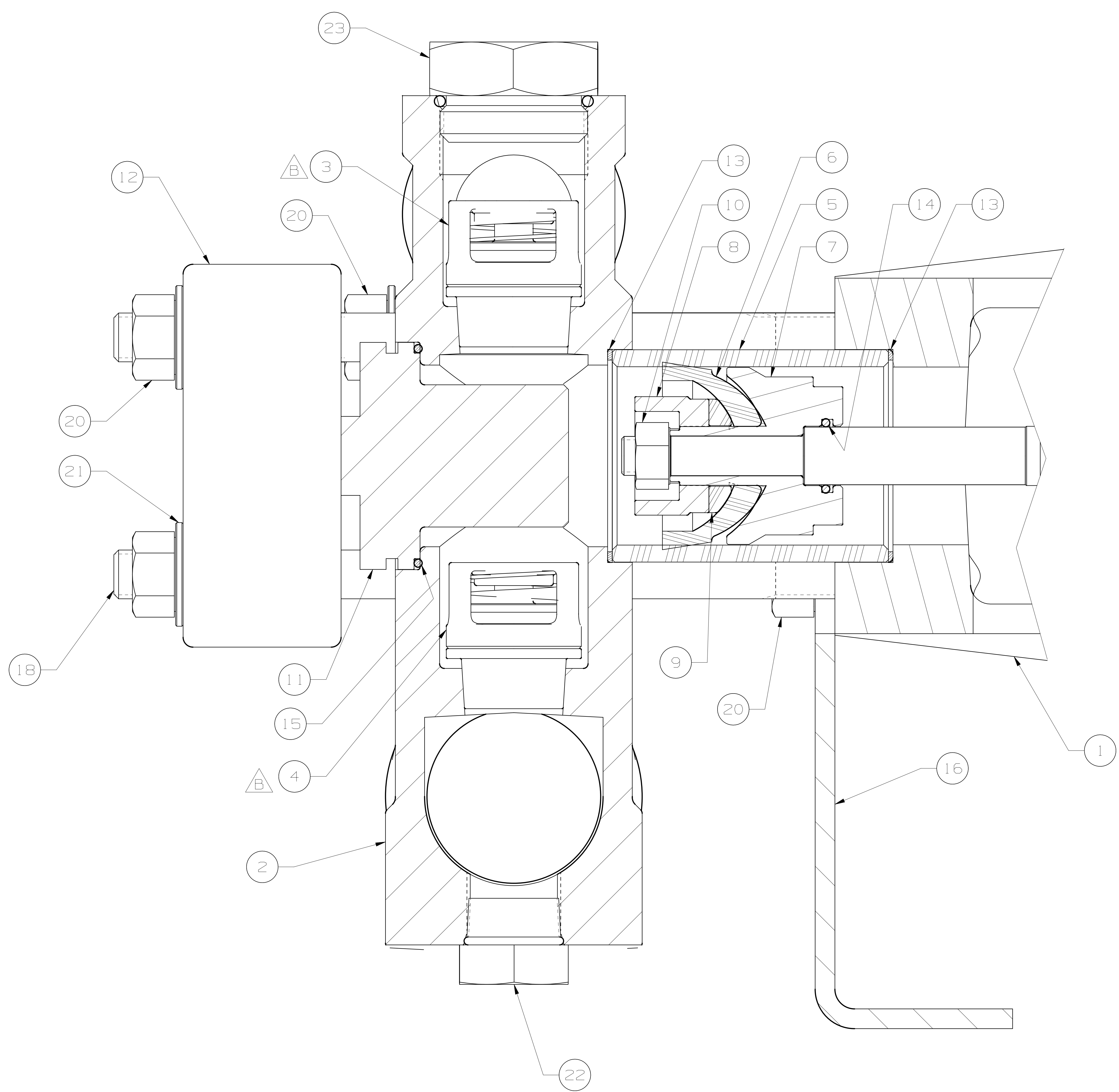


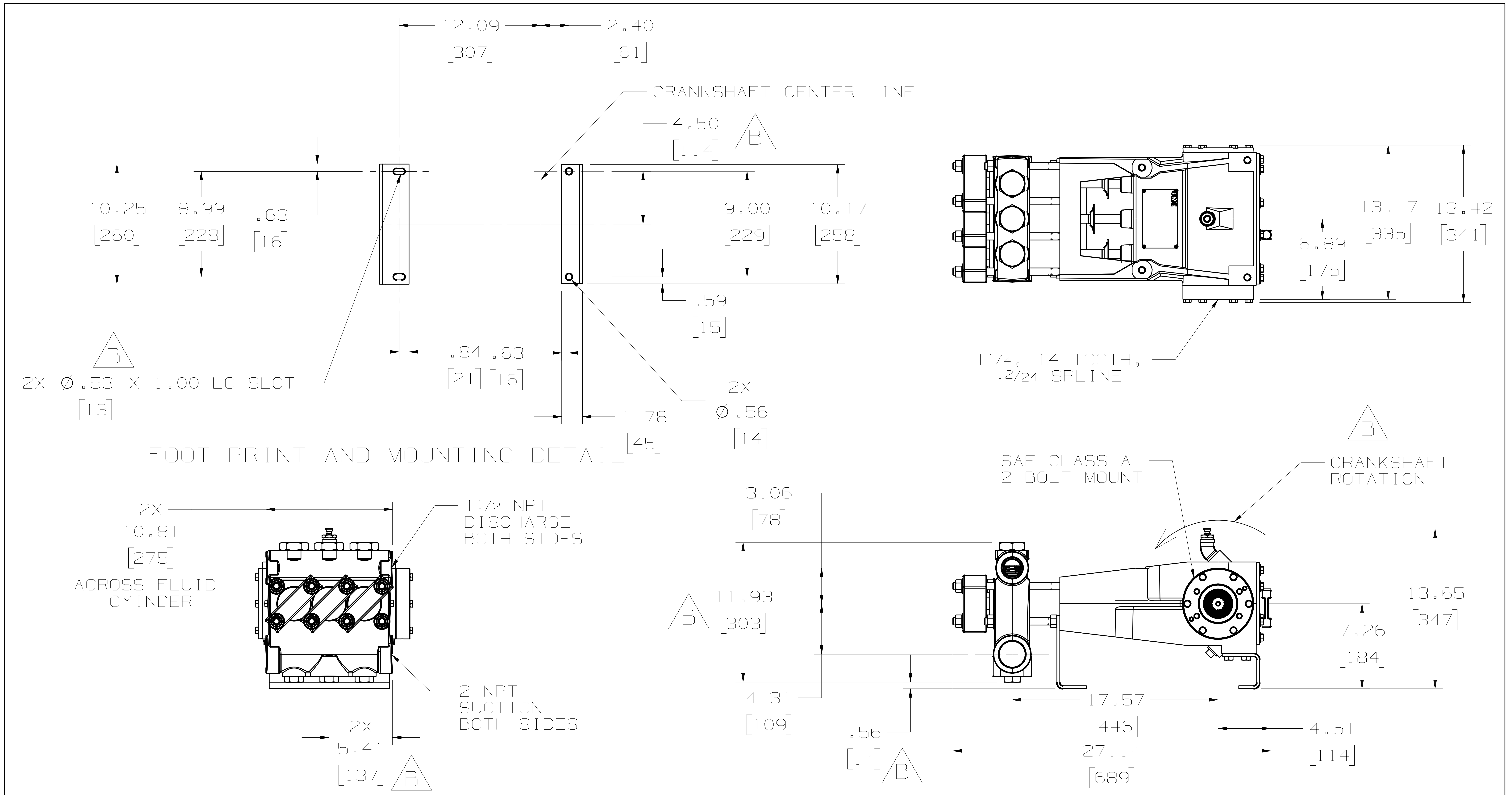
1 2 3 4 5 6 7 8 9 10 11 12

A B C D E F G H



ITEM	DESCRIPTION	QTY
1	POWER END ASSEMBLY:	1
2	FLUID CYLINDER:	1
3	VALVE ASSEMBLY:	3
4	VALVE ASSEMBLY:	3
5	CYLINDER:	3
6	PISTON CUP:	3
7	PISTON HOLDER:	3
8	PLUNGER NUT:	3
9	PISTON WASHER:	3
10	NUT: SPECIAL LOCKING, 1/2	3
11	CYLINDER COVER:	3
12	CYLINDER COVER CLAMP:	3
13	CYLINDER GASKET:	6
14	O-RING: UNIFORM #116	3
15	O-RING: UNIFORM #146	3
16	FRONT FOOT: F/M06/L06	1
17	LIQUID LEVEL GAGE:	1
18	STUD: 5/8 X 10.63 LG	6
19	STUD: 5/8 X 7.69 LG	2
20	HEX NUT: 5/8	10
21	WASHER: 5/8, NARROW	8
22	HEX HD, PLUG: #14 P50N	3
23	HEX HEAD PLUG: 1 7/8, W/O-RING	3
24	CAPLUG: MODEL 24S (NOT SHOWN)	2
25	CAPLUG: MODEL 20S (NOT SHOWN)	2
26	NAMEPLATE:	1
27	SELF TAPPING SCREW:	4

<p>PRIVATE AND CONFIDENTIAL</p> <p>THIS DOCUMENT AND ALL THE INFORMATION CONTAINED HEREIN ARE THE CONFIDENTIAL AND EXCLUSIVE PROPERTY OF FMC TECHNOLOGIES AND MAY NOT BE REPRODUCED, USED, DISCLOSED, OR MADE PUBLIC IN ANY MANNER PRIOR TO EXPRESS WRITTEN AUTHORIZATION BY FMC TECHNOLOGIES. THIS DOCUMENT IS ACCEPTED PURSUANT TO AGREEMENT TO THE FOREGOING, AND MUST BE RETURNED UPON DEMAND.</p> <p>MANUFACTURER AGREES THAT ARTICLES MADE IN ACCORDANCE WITH THIS DOCUMENT SHALL BE CONSIDERED FMC TECHNOLOGIES' DESIGN, AND THAT IDENTICAL ARTICLES OR PARTS THEREOF SHALL NOT BE MANUFACTURED FOR THE USE OR SALE BY MANUFACTURER OR ANY OTHER PERSON OR ENTITY WITHOUT PRIOR EXPRESS WRITTEN AUTHORIZATION BY FMC TECHNOLOGIES.</p>	<p>UNLESS OTHERWISE SPECIFIED</p> <p>DO NOT SCALE THIS DRAWING</p> <p>ALL DIMENSIONS ARE IN INCHES (MM)</p> <p>BREAK SHARP EDGES .015 (1.381) MAXIMUM</p> <p>INSIDE CORNER RADIUS .030 (1.762) MAXIMUM</p> <p>THREADS CONFORM TO FEDERAL STANDARD H-28</p> <p>TAPERED THREADS CONFORM TO API 6A</p> <p>BOLT HOLES MUST STRADDLE COMMON CENTERLINE</p> <p>FINISH 250 RMS</p> <p>ALL DIA'S CONCENTRIC WITHIN .010 (1.254) T.I.R.</p>	<p>TOLERANCE</p> <p>.X -- ± .030 (1.762)</p> <p>.XX -- ± .015 (1.381)</p> <p>.XXX -- ± .005 (1.271)</p> <p>ANGLE -- 30°</p>	<p>DESCRIPTION</p> <p>PUMP ASSEMBLY; L0618 HV RH, W/2 NPT X 1-1/2 NPT FLUID END, PISTON, AR VALVE ASSEMBLIES, HYD DRIVE</p>	<p>DRAWN BY:</p> <p>WOLVERTON, JARROD</p>	<p>DATE:</p> <p>14-FEB-2008</p>
				<p>DRAFTING CHECK:</p> <p>LOUDERMILK, STEVE</p>	<p>DATE:</p> <p>13-MAY-2008</p>
				<p>DESIGN REVIEW:</p> <p>SINGLETERRY, RONALD</p>	<p>DATE:</p> <p>19-MAY-2008</p>
				<p>MANUFACTURING APPROVAL:</p>	<p>DATE:</p>
<p>APPROVED BY:</p> <p>GODELL, GENE</p>	<p>DATE:</p> <p>03-JUL-2008</p>	<p>LATEST REV. NO. 5019722</p> <p>REV. B</p>	<p>DRAWING NUMBER</p> <p>6700DU5014568</p>	<p>DATE:</p> <p>03-JUL-2008</p>	



PRIVATE AND CONFIDENTIAL THIS DOCUMENT AND ALL THE INFORMATION CONTAINED HEREIN ARE THE CONFIDENTIAL AND EXCLUSIVE PROPERTY OF FMC TECHNOLOGIES AND MAY NOT BE REPRODUCED, USED, DISCLOSED, OR MADE PUBLIC IN ANY MANNER PRIOR TO EXPRESS WRITTEN AUTHORIZATION BY FMC TECHNOLOGIES. THIS DOCUMENT IS ACCEPTED PURSUANT TO AGREEMENT TO THE FOREGOING, AND MUST BE RETURNED UPON DEMAND. MANUFACTURER AGREES THAT ARTICLES MADE IN ACCORDANCE WITH THIS DOCUMENT SHALL BE CONSIDERED FMC TECHNOLOGIES' DESIGN, AND THAT IDENTICAL ARTICLES OR PARTS THEREOF SHALL NOT BE MANUFACTURED FOR THE USE OR SALE BY MANUFACTURER OR ANY OTHER PERSON OR ENTITY WITHOUT PRIOR EXPRESS WRITTEN AUTHORIZATION BY FMC TECHNOLOGIES.	<h1>ENGINEERING DIMENSIONAL OUTLINE</h1>	DESCRIPTION PUMP ASSEMBLY; L0618 HV RH, W/2 NPT X 1-1/2 NPT FLUID END, PISTON, AR VALVE ASSEMBLIES, HYD DRIVE	DRAWN BY: WOLVERTON, JARROD	DATE: 14-FEB-2008	
		DRAFTING CHECK: LOUDERMILK, STEVE	DATE: 13-MAY-2008		
			DESIGN REVIEW: SINGLETERRY, RONALD	DATE: 19-MAY-2008	
			MANUFACTURING APPROVAL:	DATE:	LATEST ECN NO. 5019722 REV. B
			APPROVED BY: GOODELL, GENE	DATE: 03-JUL-2008	DRAWING NUMBER <b>6700DU5014568</b>

COPYRIGHT FMC TECHNOLOGIES