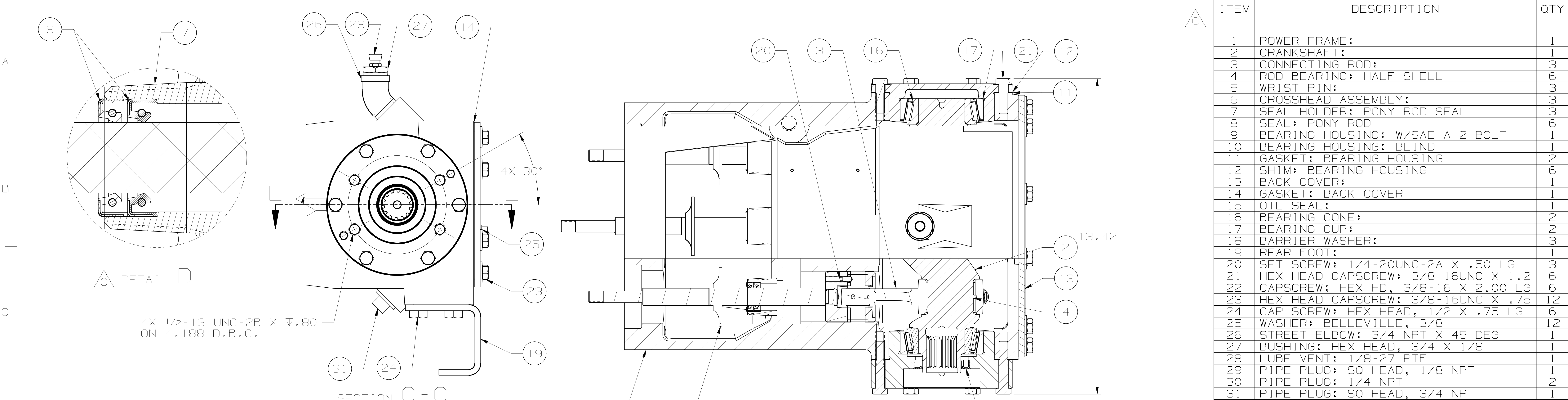
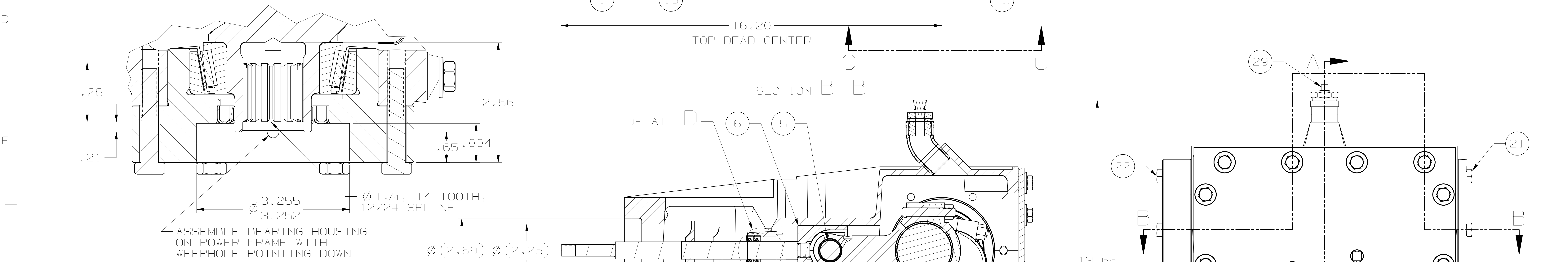


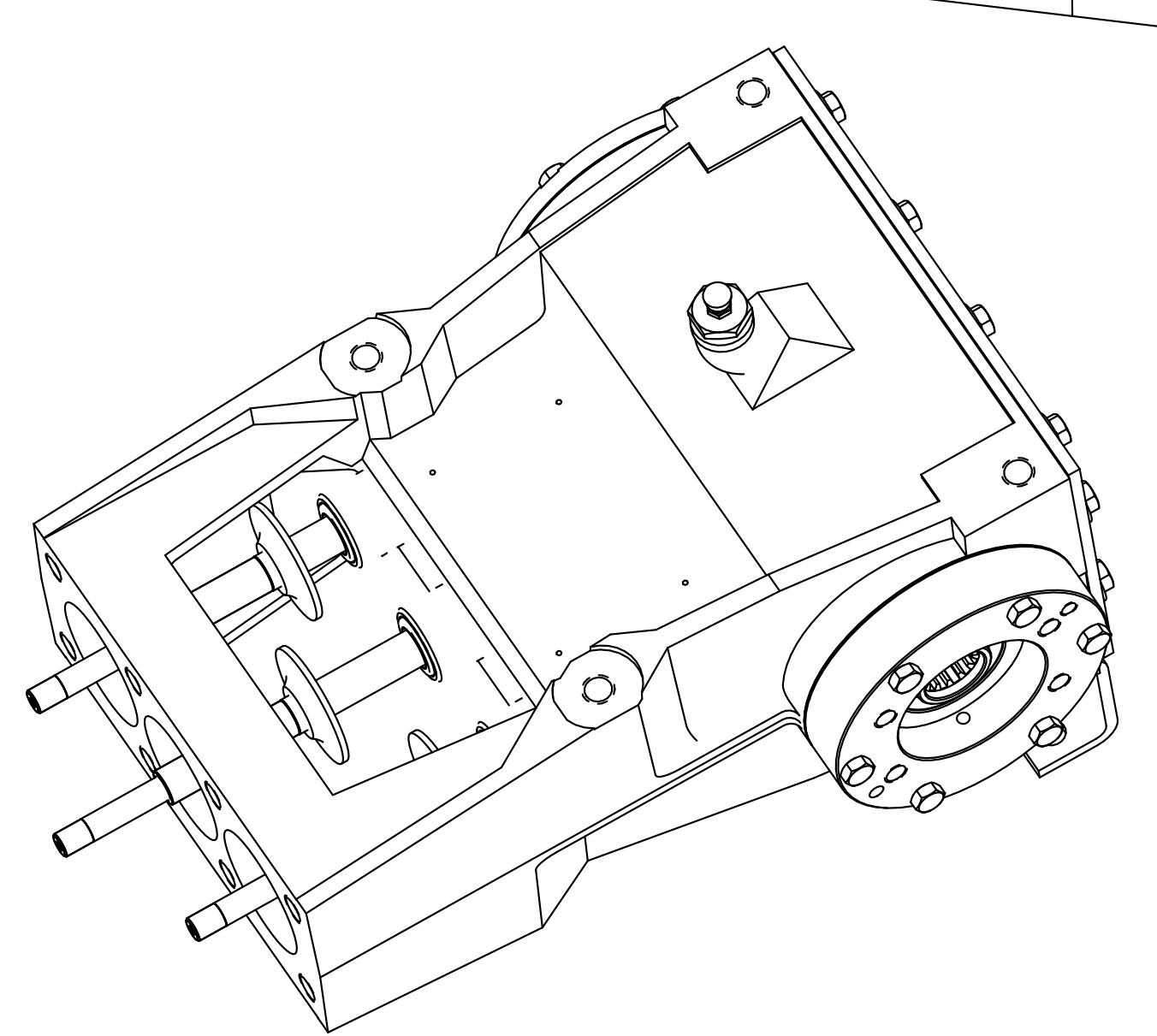
1 2 3 4 5 6 7 8 9 10 11 12



ITEM	DESCRIPTION	QTY
1	POWER FRAME:	1
2	CRANKSHAFT:	1
3	CONNECTING ROD:	3
4	ROD BEARING: HALF SHELL	6
5	WRIST PIN:	3
6	CROSSHEAD ASSEMBLY:	3
7	SEAL HOLDER: PONY ROD SEAL	3
8	SEAL: PONY ROD	6
9	BEARING HOUSING: W/SAE A 2 BOLT	1
10	BEARING HOUSING: BLIND	1
11	GASKET: BEARING HOUSING	2
12	SHIM: BEARING HOUSING	6
13	BACK COVER:	1
14	GASKET: BACK COVER	1
15	OIL SEAL:	1
16	BEARING CONE:	2
17	BEARING CUP:	2
18	BARRIER WASHER:	3
19	REAR FOOT:	1
20	SET SCREW: 1/4-20UNC-2A X .50 LG	3
21	HEX HEAD CAPSCREW: 3/8-16UNC X 1.2	6
22	CAPSCREW: HEX HD, 3/8-16 X 2.00 LG	6
23	HEX HEAD CAPSCREW: 3/8-16UNC X .75	12
24	CAP SCREW: HEX HEAD, 1/2 X .75 LG	6
25	WASHER: BELLEVILLE, 3/8	12
26	STREET ELBOW: 3/4 NPT X 45 DEG	1
27	BUSHING: HEX HEAD, 3/4 X 1/8	1
28	LUBE VENT: 1/8-27 PTF	1
29	PIPE PLUG: SQ HEAD, 1/8 NPT	1
30	PIPE PLUG: 1/4 NPT	2
31	PIPE PLUG: SQ HEAD, 3/4 NPT	1



- NOTES:
- CONNECTING ROD SPLASH HOLE MUST BE FACING UPWARD.
  - WRIST PIN LOCK HOLE MUST ALIGN WITH SET SCREW. APPLY LOCTITE 271 TO SET SCREWS BEFORE ASSEMBLY.
  - LUBRICATE CRANKSHAFT OIL SEALS WITH LIGHT OIL ONLY.
  - ALL MOVING PARTS IN THE POWER END SHOULD BE LUBRICATED WITH SAE 30 WT OIL AT ASSEMBLY.
  - ASSEMBLE CRANKSHAFT IN POWER FRAME WITH TAPERED BEARINGS END PLAY OF .002 TIGHT TO .003 LOOSE.
  - INSTALL ROD SEALS WITH BOTH LIPS TURNED TOWARD THE CRANKCASE.
  - APPLY SILICON SEALER TO SEAL HOLDER (ITEM #7) BEFORE PRESSING INTO POWER FRAME.
  - ITEMS 29 AND 30 TO BE INSTALLED AFTER TESTING, AND BEFORE CLEANING AND PAINTING.



PRIVATE AND CONFIDENTIAL THIS DOCUMENT AND ALL THE INFORMATION CONTAINED HEREIN ARE THE SOLE IDENTICAL AND EXCLUSIVE PROPERTY OF FMC TECHNOLOGIES AND MAY NOT BE REPRODUCED, USED, DISCLOSED, OR MADE PUBLIC IN ANY MANNER PRIOR TO EXPRESS WRITTEN AUTHORIZATION BY FMC TECHNOLOGIES. THIS DOCUMENT IS ACCEPTED PURSUANT TO AGREEMENT TO THE FOREGOING, AND MUST BE RETURNED UPON DEMAND. MANUFACTURER AGREES THAT ARTICLES MADE IN ACCORDANCE WITH THIS DOCUMENT SHALL BE CONSIDERED FMC TECHNOLOGIES' DESIGN, AND THAT IDENTICAL ARTICLES OR PARTS THEREOF SHALL NOT BE MANUFACTURED FOR THE USE OR SALE BY MANUFACTURER OR ANY OTHER PERSON OR ENTITY WITHOUT PRIOR EXPRESS WRITTEN AUTHORIZATION BY FMC TECHNOLOGIES.	UNLESS OTHERWISE SPECIFIED DO NOT SCALE THIS DRAWING ALL DIMENSIONS ARE IN INCHES (MM) BREAK SHARP EDGES .015 (1.381) MAXIMUM INSIDE CORNER RADIUS .030 (1.762) MAXIMUM TAPERED THREADS CONFORM TO FEDERAL STANDARD H-28 BOLT HOLES MUST STRADDLE COMMON CENTERLINE FINISH 250 RMS ALL DIA'S CONCENTRIC WITHIN .010 (1.254) T.I.R.	TOLERANCE .X .XX .XXX .030 (1.762) .015 (1.381) .005 (1.127)	DESCRIPTION POWER END ASSEMBLY; L06 HV RH, 14 TOOTH SPLINED DRIVE, F/PISTON PUMPS	DRAWN BY: KUNISHIGE, SCOTT	DATE: 12-OCT-2006	<b>FMC Technologies</b>
				DRAFTING CHECK: KUNISHIGE, SCOTT	DATE: 12-OCT-2006	
		DESIGN REVIEW: GOODELL, GENE	DATE: 21-DEC-2006			LATEST: 5016483 REV. C DRAWING NUMBER: 6700DU5014562 COPYRIGHT FMC TECHNOLOGIES
		MANUFACTURING APPROVAL: CRUZ, GEORGE	DATE: 15-DEC-2006			
		APPROVED BY: SINGLETERRY, RONALD	DATE: 15-JAN-2007			