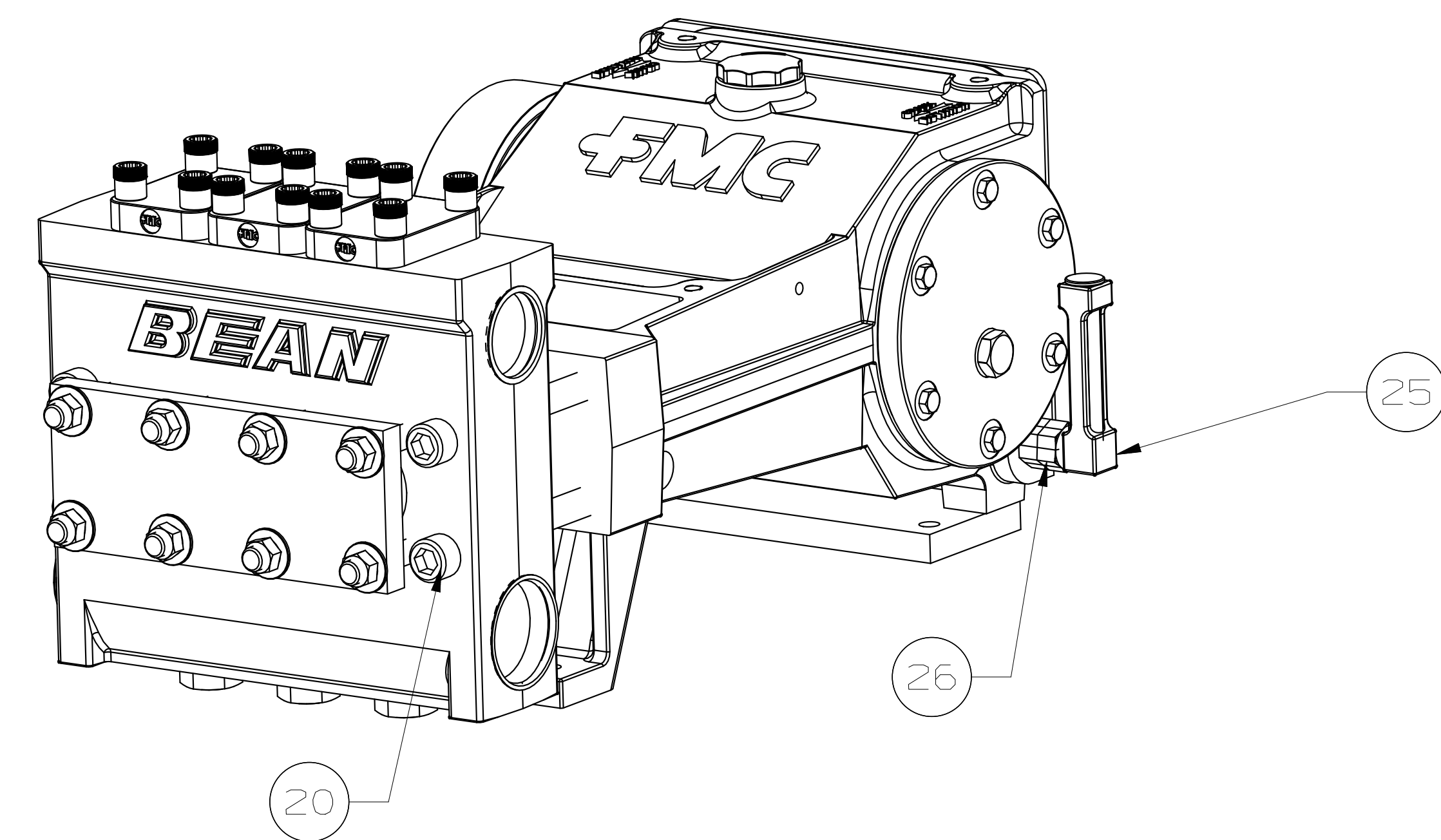
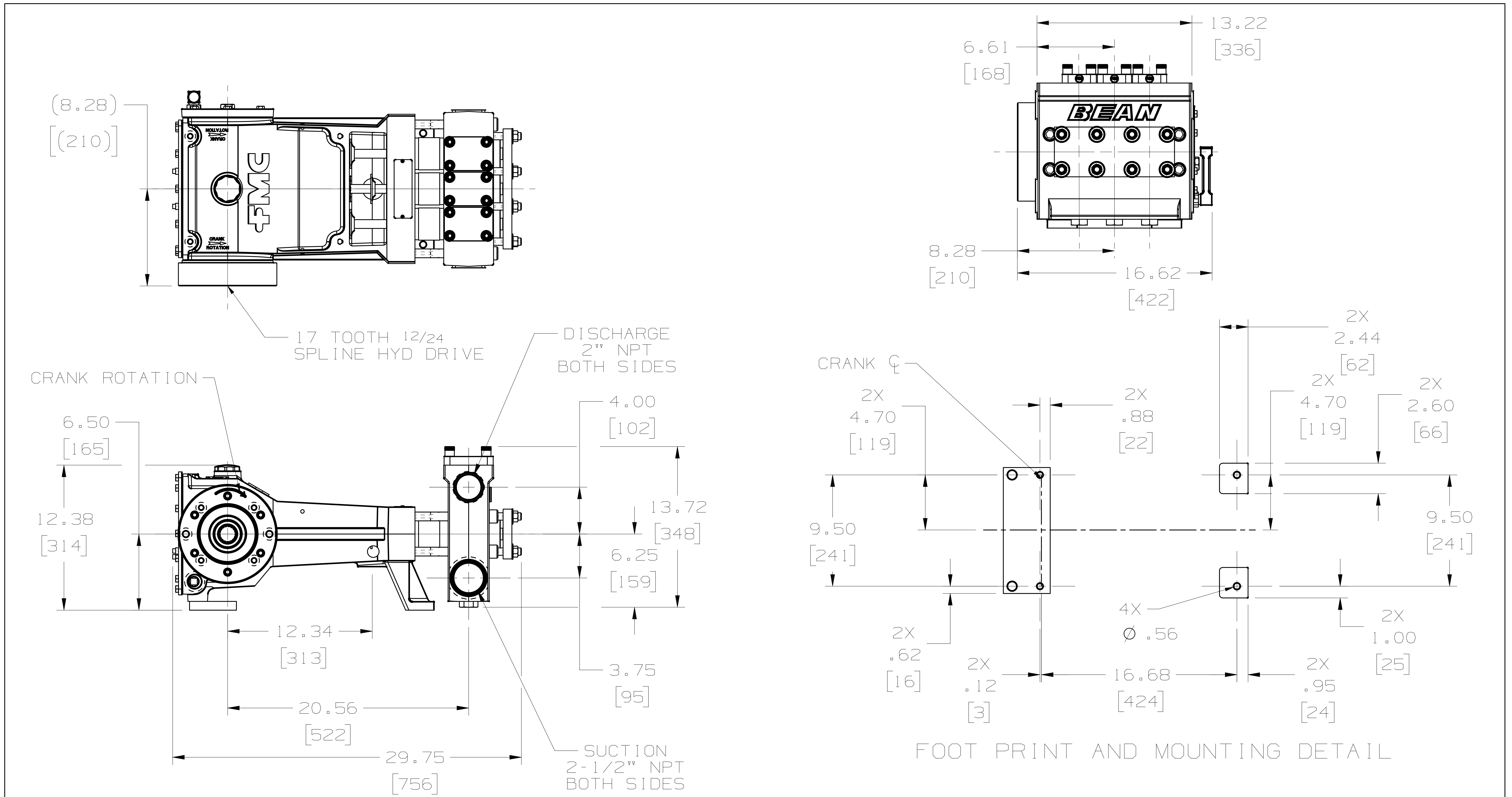


ITEM	DESCRIPTION	QTY
1	POWER END ASSEMBLY:	1
2	FLUID CYLINDER: F/L09 HD HV	1
3	VALVE ASSEMBLY:	3
4	VALVE ASSEMBLY:	3
5	CYLINDER:	3
6	PISTON CUP:	3
7	PISTON HOLDER:	3
8	PISTON WASHER:	3
9	PLUNGER NUT:	3
10	NUT: SPECIAL LOCKING, 1/2	3
11	CYLINDER COVER:	3
12	CLAMP PLATE:	1
13	CYLINDER GASKET:	6
14	GASKET:	3
15	VALVE COVER:	3
16	O-RING: UNIFORM #116	3
17	O-RING: UNIFORM #228	3
18	STUD: 5/8 X 3.50 LG	8
19	STUD: 1/2 X 2.00 LG (NOT SHOWN)	12
20	CAP SCREW: SOCKET HEAD .75 X 7.50LG	4
21	ALLENUT: 1/2	12
22	HEX NUT: 5/8	8
23	WASHER: 5/8, NARROW	8
24	HEX HD, PLUG: #14 P50N	3
25	LIQUID LEVEL GAGE:	1
26	FITTING: ADAPTER, 1/2 NPT X 1/2 NPT	1
27	CAPLUG: MODEL 44 (NOT SHOWN) (NOT SHOWN)	2
28	CAPLUG: MODEL 24S (NOT SHOWN)	2



PRIVATE AND CONFIDENTIAL THIS DOCUMENT AND ALL THE INFORMATION CONTAINED HEREIN ARE THE CONFIDENTIAL AND EXCLUSIVE PROPERTY OF FMC TECHNOLOGIES AND MAY NOT BE REPRODUCED, USED, DISCLOSED, OR MADE PUBLIC IN ANY MANNER PRIOR TO EXPRESS WRITTEN AUTHORIZATION BY FMC TECHNOLOGIES. THIS DOCUMENT IS ACCEPTED PURSUANT TO AGREEMENT TO THE FOREGOING, AND MUST BE RETURNED UPON DEMAND. MANUFACTURER AGREES THAT ARTICLES MADE IN ACCORDANCE WITH THIS DOCUMENT SHALL BE CONSIDERED FMC TECHNOLOGIES' DESIGN, AND THAT IDENTICAL ARTICLES OR PARTS THEREOF SHALL NOT BE MANUFACTURED FOR THE USE OR SALE BY MANUFACTURER OR ANY OTHER PERSON OR ENTITY WITHOUT PRIOR EXPRESS WRITTEN AUTHORIZATION BY FMC TECHNOLOGIES.	UNLESS OTHERWISE SPECIFIED DO NOT SCALE THIS DRAWING ALL DIMENSIONS ARE IN INCHES (MM) BREAK SHARP EDGES .015 (1.381) MAXIMUM INSIDE CORNER RADIUS .030 (1.762) MAXIMUM THREADS CONFORM TO FEDERAL STANDARD H-28 TAPERED THREADS CONFORM TO API 6A BOLT HOLES MUST STRADDLE COMMON CENTERLINE FINISH 250 RMS ALL DIA'S CONCENTRIC WITHIN .010 (1.254) T.I.R.	TOLERANCE .X -- ± .030 (1.762) .XX -- ± .015 (1.381) .XXX -- ± .005 (1.127) ANGLE -- ± 30°	DESCRIPTION PUMP ASSEMBLY; L0918 HD HV LH, W/2-1/2 NPT X 2 NPT FLUID END, PISTON, AR VALVE ASSEMBLIES, SPLINED SHAFT, CYLINDER CLAMP PLATE, W/METAL BACKED CYLINDER	DRAWN BY: WOLVERTON, JARROD	DATE: 31-MAR-2008
				DRAFTING CHECK: LOUDERMILK, STEVE	DATE: 05-JUN-2008
				DESIGN REVIEW: HEROLD, JOHN R.	DATE: 23-DEC-2008
				MANUFACTURING APPROVAL: CRUZ, GEORGE	DATE: 16-JUN-2008
				APPROVED BY: KOKEL, ZACHERY	DATE: 31-DEC-2008
				LATEST REV. NO. 5019996 DRAWING NUMBER DU500006532 COPYRIGHT FMC TECHNOLOGIES	REV. C



PRIVATE AND CONFIDENTIAL

THIS DOCUMENT AND ALL THE INFORMATION CONTAINED HEREIN ARE THE CONFIDENTIAL AND EXCLUSIVE PROPERTY OF FMC TECHNOLOGIES AND MAY NOT BE REPRODUCED, USED, DISCLOSED, OR MADE PUBLIC IN ANY MANNER PRIOR TO EXPRESS WRITTEN AUTHORIZATION BY FMC TECHNOLOGIES. THIS DOCUMENT IS ACCEPTED PURSUANT TO AGREEMENT TO THE FOREGOING, AND MUST BE RETURNED UPON DEMAND.

MANUFACTURER AGREES THAT ARTICLES MADE IN ACCORDANCE WITH THIS DOCUMENT SHALL BE CONSIDERED FMC TECHNOLOGIES' DESIGN, AND THAT IDENTICAL ARTICLES OR PARTS THEREOF SHALL NOT BE MANUFACTURED FOR THE USE OR SALE BY MANUFACTURER OR ANY OTHER PERSON OR ENTITY WITHOUT PRIOR EXPRESS WRITTEN AUTHORIZATION BY FMC TECHNOLOGIES.

ENGINEERING DIMENSIONAL OUTLINE

DESCRIPTION

PUMP ASSEMBLY; L0918 HD HV LH, W/2-1/2 NPT X 2 NPT FLUID END, PISTON, AR VALVE ASSEMBLIES, SPLINED SHAFT, CYLINDER CLAMP PLATE, W/METAL BACKED CYLINDER

DRAWN BY: WOLVERTON, JARROD	DATE: 31-MAR-2008
DRAFTING CHECK: LOUDERMILK, STEVE	DATE: 05-JUN-2008
DESIGN REVIEW: HEROLD, JOHN R.	DATE: 23-DEC-2008
MANUFACTURING APPROVAL: CRUZ, GEORGE	DATE: 16-JUN-2008
APPROVED BY: KOKEL, ZACHERY	DATE: 31-DEC-2008

FMC Technologies

LATEST ECN NO. 5019996 REV. C

DRAWING NUMBER **DU500006532**

COPYRIGHT FMC TECHNOLOGIES