

1 2 3 4 5 6 7 8 9 10 11 12

A

B

C

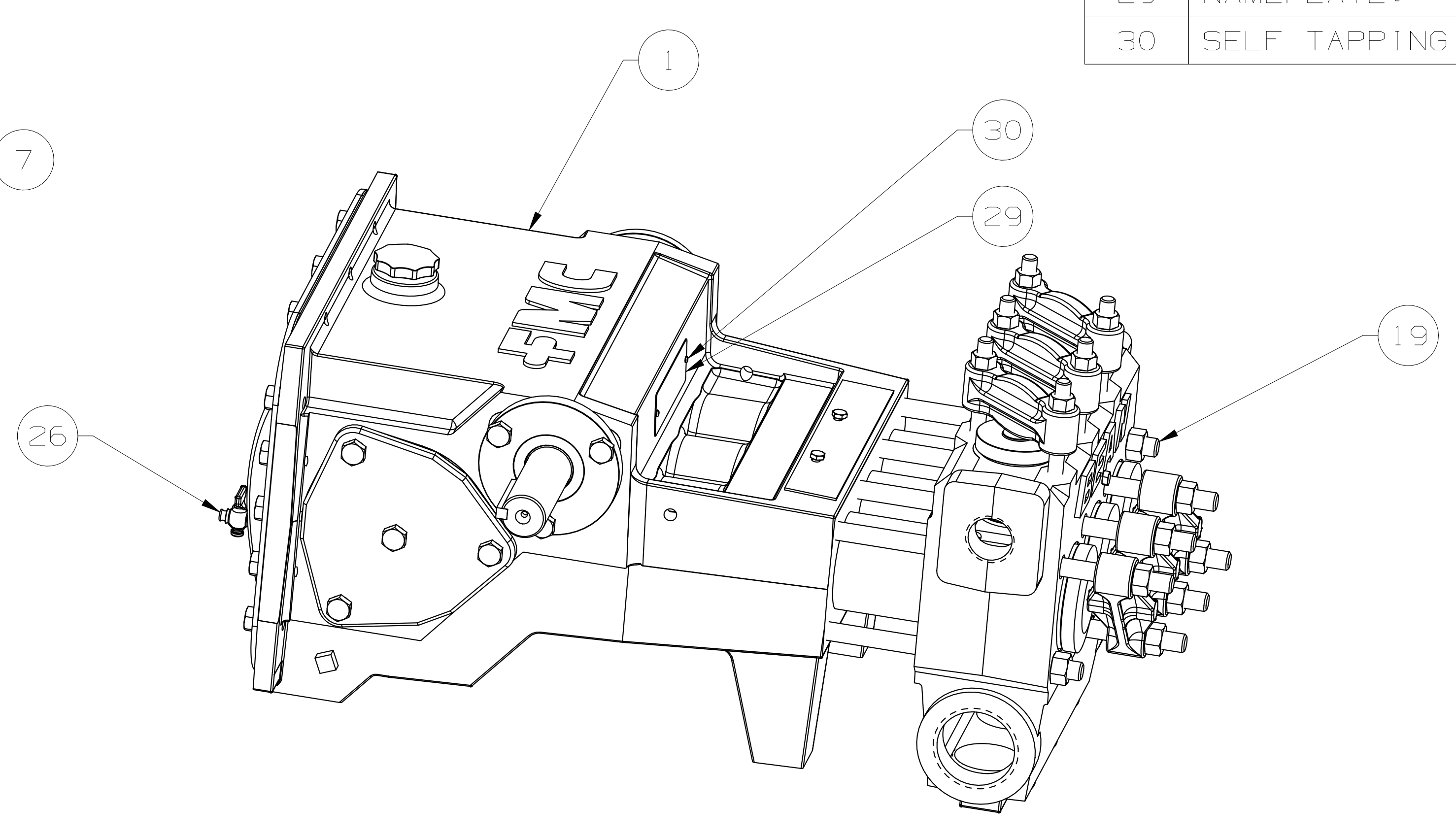
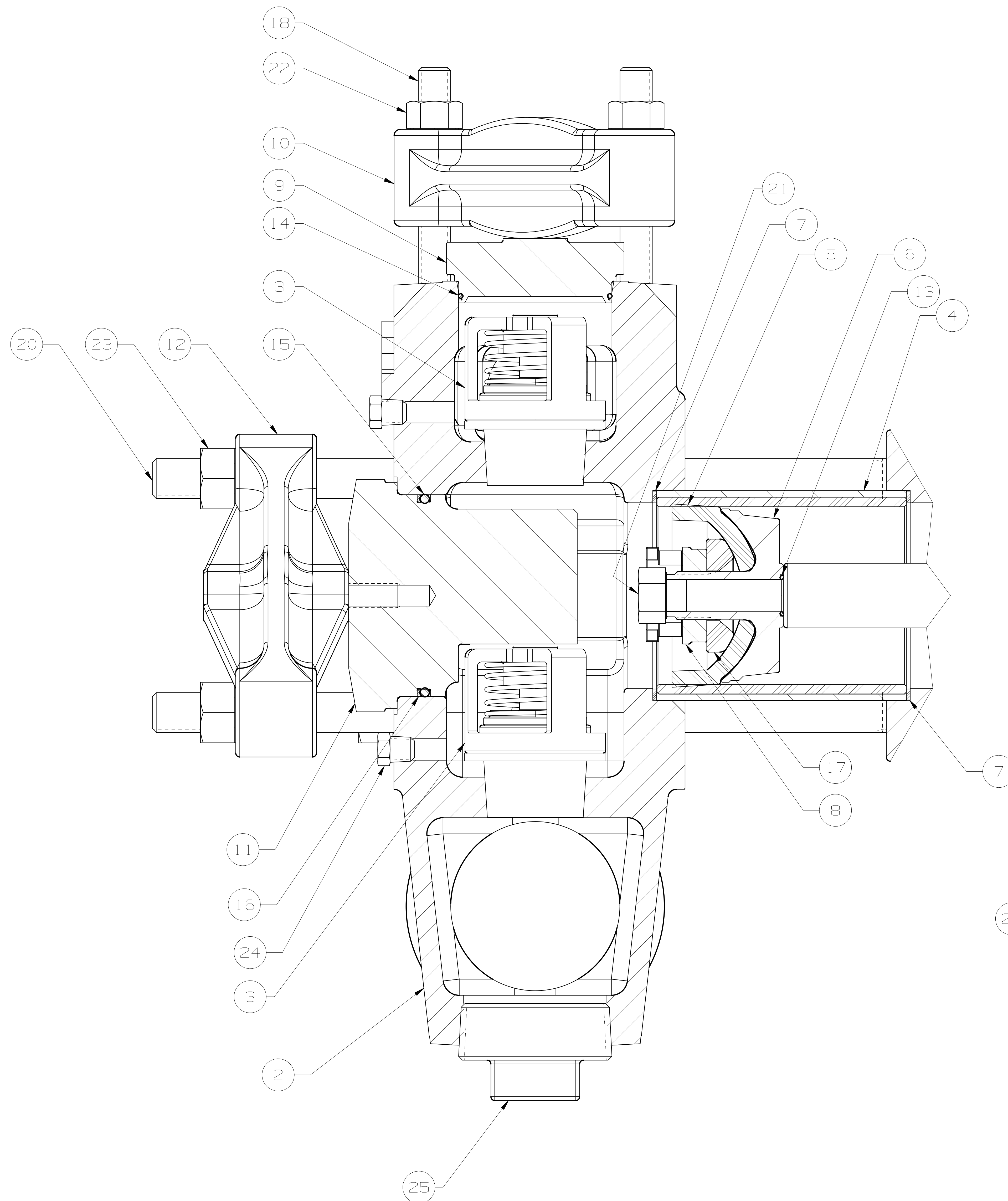
D

E

F

G

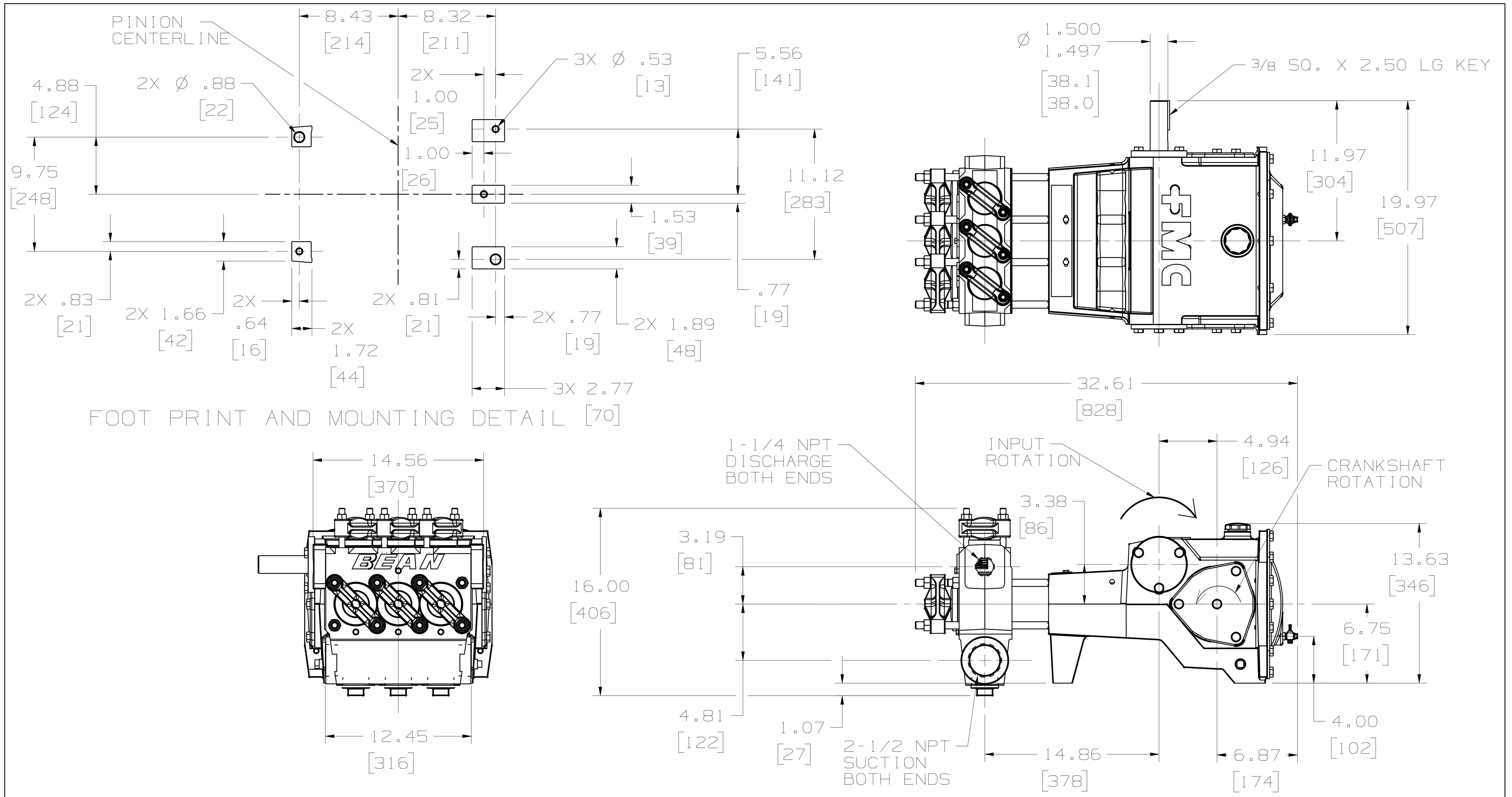
H



ITEM	DESCRIPTION	QTY
1	POWER END ASSEMBLY: L11 LH	1
2	FLUID CYLINDER:	1
3	VALVE ASSEMBLY:	6
4	CYLINDER:	3
5	PISTON CUP:	3
6	PISTON HOLDER:	3
7	GASKET:	6
8	PLUNGER NUT:	3
9	VALVE COVER:	3
10	VALVE COVER CLAMP:	3
11	CYLINDER COVER:	3
12	CYLINDER COVER CLAMP:	3
13	O-RING: UNIFORM #014	3
14	O-RING: UNIFORM #035	3
15	O-RING: UNIFORM #233	3
16	BACK-UP RING: UNIFORM #233	3
17	PISTON RETAINER:	3
18	STUD: 1/2 X 4.25 LG	6
19	STUD: 5/8 X 9.50 LG	2
20	STUD: 5/8 X 12.25 LG	6
21	NUT: SPECIAL LOCKING, 1/2	3
22	HEX NUT: 1/2	6
23	HEX NUT: 5/8	8
24	PLUG: 1/8 NPT	4
25	PIPE PLUG: 2" NPT	3
26	PETCOCK:	1
27	CAPLUG: 17-S (NOT SHOWN)	2
28	CAPLUG: MODEL 44 (NOT SHOWN)	2
29	NAMEPLATE:	1
30	SELF TAPPING SCREW:	2

PRIVATE AND CONFIDENTIAL THIS DOCUMENT AND ALL THE INFORMATION CONTAINED HEREIN ARE THE CONFIDENTIAL AND EXCLUSIVE PROPERTY OF FMC TECHNOLOGIES AND MAY NOT BE REPRODUCED, USED, DISCLOSED, OR MADE PUBLIC IN ANY MANNER PRIOR TO EXPRESS WRITTEN AUTHORIZATION BY FMC TECHNOLOGIES. THIS DOCUMENT IS ACCEPTED PURSUANT TO AGREEMENT TO THE FOREGOING, AND MUST BE RETURNED UPON DEMAND. MANUFACTURER AGREES THAT ARTICLES MADE IN ACCORDANCE WITH THIS DOCUMENT SHALL BE CONSIDERED FMC TECHNOLOGIES' DESIGN, AND THAT IDENTICAL ARTICLES OR PARTS THEREOF SHALL NOT BE MANUFACTURED FOR THE USE OR SALE BY MANUFACTURER OR ANY OTHER PERSON OR ENTITY WITHOUT PRIOR EXPRESS WRITTEN AUTHORIZATION BY FMC TECHNOLOGIES.	UNLESS OTHERWISE SPECIFIED DO NOT SCALE THIS DRAWING ALL DIMENSIONS ARE IN INCHES (MM) BREAK SHARP EDGES .015 (1.381) MAXIMUM INSIDE CORNER RADIUS .030 (1.762) MAXIMUM THREADS CONFORM TO FEDERAL STANDARD H-28 TAPERED THREADS CONFORM TO API 6A BOLT HOLES MUST STRADDLE COMMON CENTERLINE FINISH 250 RMS ALL DIA'S CONCENTRIC WITHIN .010 (1.254) T.I.R.	TOLERANCE .X -- ± .030 (1.762) .XX -- ± .015 (1.381) .XXX -- ± .005 (1.127) ANGLE -- ± 30°	DESCRIPTION PUMP ASSEMBLY: L1122 LH, W/2-1/2 NPT X 1-1/4 NPT FLUID END, PISTON, AR VALVE ASSEMBLIES	DRAWN BY: WOLVERTON, JARROD	DATE: 17-JUL-2009	FMC Technologies
				DRAFTING CHECKED: WOLVERTON, JARROD	DATE: 20-JAN-2010	
				MANUFACTURING APPROVAL: LYON, TIM	DATE: 25-JAN-2010	DRAWING NUMBER: DU500015935

1 2 3 4 5 6 7 8 9 10 11 12



PRIVATE AND CONFIDENTIAL

THIS DOCUMENT AND ALL THE INFORMATION CONTAINED HEREIN ARE THE CONFIDENTIAL AND EXCLUSIVE PROPERTY OF FMC TECHNOLOGIES AND MAY NOT BE REPRODUCED, USED, DISCLOSED, OR MADE PUBLIC IN ANY MANNER PRIOR TO EXPRESS WRITTEN AUTHORIZATION BY FMC TECHNOLOGIES. THIS DOCUMENT IS ACCEPTED PURSUANT TO AGREEMENT TO THE FOREGOING, AND MUST BE RETURNED UPON DEMAND.

MANUFACTURER AGREES THAT ARTICLES MADE IN ACCORDANCE WITH THIS DOCUMENT SHALL BE CONSIDERED FMC TECHNOLOGIES' DESIGN, AND THAT IDENTICAL ARTICLES OR PARTS THEREOF SHALL NOT BE MANUFACTURED FOR THE USE OR SALE BY MANUFACTURER OR ANY OTHER PERSON OR ENTITY WITHOUT PRIOR EXPRESS WRITTEN AUTHORIZATION BY FMC TECHNOLOGIES.

ENGINEERING DIMENSIONAL OUTLINE

DESCRIPTION

PUMP ASSEMBLY; L1122 LH, W/2-1/2 NPT X 1-1/4 NPT FLUID END, PISTON, AR VALVE ASSEMBLIES

DRAWN BY: WOLVERTON, JARROD	DATE: 17-JUL-2009
DRAFTING CHECK: WOLVERTON, JARROD	DATE: 20-JAN-2010
DESIGN REVIEW: SINGLETERRY, RONALD	DATE: 20-JAN-2010
MANUFACTURING APPROVAL:	DATE:
APPROVED BY: LYON, TIM	DATE: 25-JAN-2010

FMC Technologies

LATEST ECN NO. 5023745 REV. A

DRAWING NUMBER **DU500015935**

COPYRIGHT FMC TECHNOLOGIES