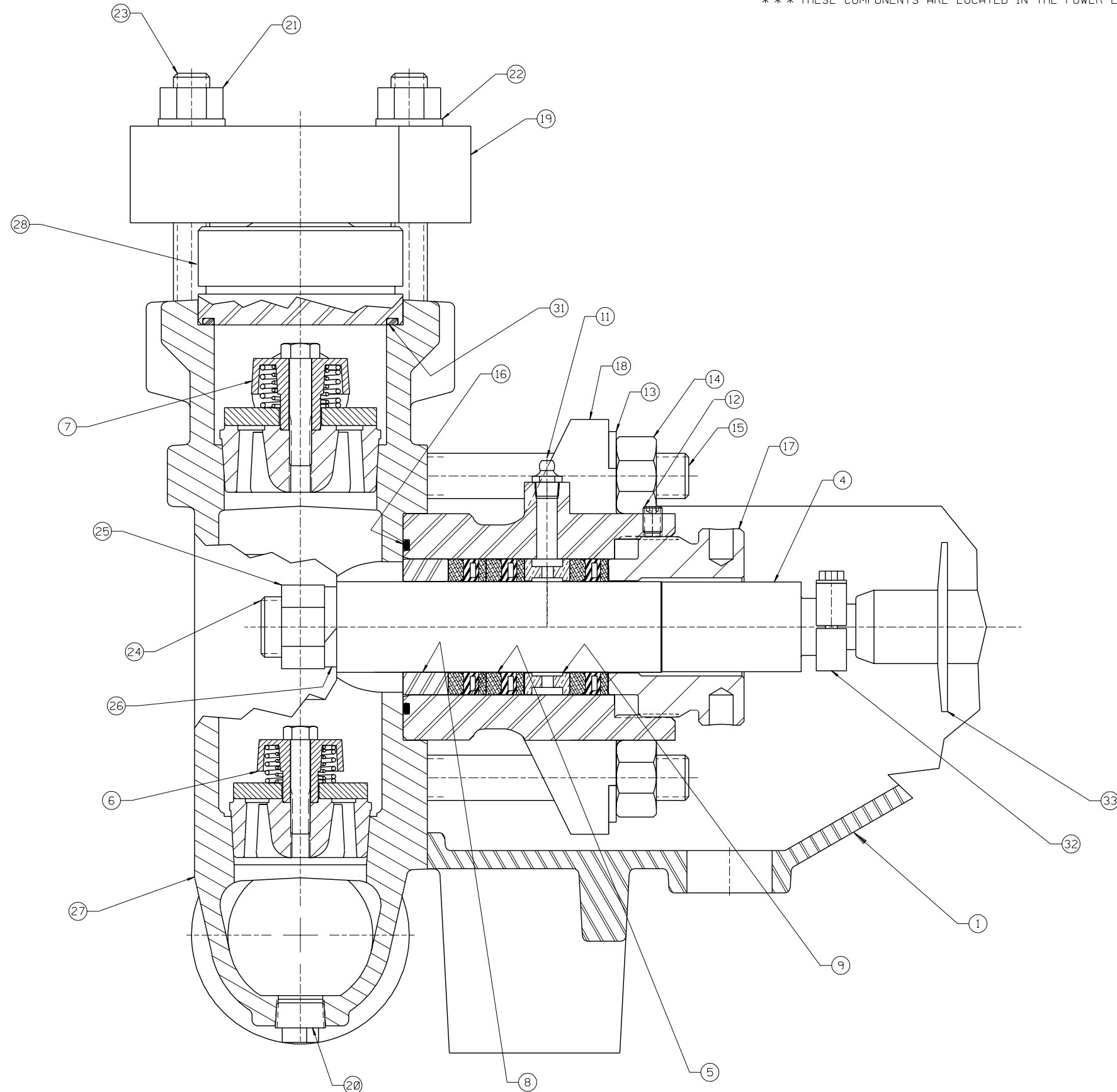


* THESE COMPONENTS ARE LOCATED IN THE STUFFING BOX GROUP, ITEM ③
 ** THESE COMPONENTS ARE LOCATED IN THE FLUID CYLINDER GROUP, ITEM ②
 *** THESE COMPONENTS ARE LOCATED IN THE POWER END, ITEM ①



ITEM	NO. RECD	PART NO.	PART NAME
①	1	3265542	POWER END:
②	1	3265871	FLUID CYLINDER GROUP:
③	3	5267507	STUFFING BOX GROUP:
④	3	P500584	PLUNGER: 1½" DIA, TUNGSTEN
⑤	3	5262879	PACKING SET: 838
⑥	3	5277072	VALVE ASSEMBLY: SST, SUCTION
⑦	3	5277073	VALVE ASSEMBLY: SST, DISCHARGE
⑧	3	5262867	THROAT BUSHING/FOLLOWER:
⑨	3	5262871	LANTERN RING
⑩	1	5266236	LIT KIT:
* ⑪	3	1100759	LUBE FITG ⅛ STR C/Z
* ⑫	3	320320	SET SCREW 5/16-18 X ½ NYLON TIP
* ⑬	6	320951	FLAT WASHER: ¾", SST
* ⑭	6	1109316	HEX NUT: ¾"-10, SST
* ⑮	6	5262887	STUD: ¾"-10 UNC-2A, 5.25 LG, SST
* ⑯	3	320337	O-RING: 2⅞" OD X ⅛" NOM., BUNA-N
* ⑰	3	5275013	ADJUSTING NUT:
* ⑱	3	5262891	STUFFING BOX:
** ⑲	3	5262885	VALVE COVER CLAMP:
** ⑳	3	320071	PLUG: ¾" NPT, SST
** ㉑	6	1109316	HEX NUT: ¾"-10, SST
** ㉒	6	320951	FLAT WASHER: ¾", SST
** ㉓	6	5262886	STUD: ¾"-10 UNC-2A, 6.13 LG, SST
** ㉔	2	5266592	STUD: 1-8 UNC-2A, 4.63 LG, SST
** ㉕	2	320443	HEX NUT: 1"-8, SST
** ㉖	2	320442	LOCK WASHER: 1", SST
** ㉗	1	5264119	FLUID CYLINDER:
** ㉘	3	5264371	VALVE COVER:
** ㉙	2	1177203	CAPPLUG: INT. 20S (NOT SHOWN)
** ㉚	2	1120444	CAPPLUG: INT. 501 (NOT SHOWN)
* ㉛	3	A90-232	O-RING: 3" OD X ⅛" NOM, BUNA-N
** ㉜	3	1252143	CLAMP ASSEMBLY :
** ㉝	3	5262851	SHIELD DEFLECTOR:

NOTES:

- 1 TORQUE FASTENERS PER FMC ENGR SPEC AS-22
- 2 TEST PUMP AS PER FMC ENGR SPEC AS-15
- 3 STAMP NAMEPLATE PER FMC ENGR SPEC AS-21
- 4 PAINT PUMP PER FMC ENGR SPEC CP-20

This drawing is the property of FMC Corporation, and may not be used, reproduced, published, or disclosed to others, without express authorization FMC Corp.		FMC Corporation Fluid Control Division 2825 W. Washington Box 1377 Stephenville, Texas 76481	
Unless Otherwise Specified: Remove all burrs & sharp corners .005 R. All diameters concentric unless .001 I.D.C.		PUMP ASSEMBLY M1212 DI W/1½" X3" NPT, TUNGSTEN PLG, DEL/SST VA, 838 PKG	
H	REV BOM	5007118	SJK 10-19-01
G	REV BOM	5002332	BKM 04-10-01
F	REVISE & DIGITIZE	1	BKM 07-23-97
REV	WAS	ECN	BY DATE
RELEASED FOR PRODUCTION ECN 5001159 DATE 07-29-97		DRAWN BKM 07-23-97 CKD. SJK 07-23-97 APPD. GG 07-28-97	SCALE: NONE SIZE: DRAWING NO. D 5264384

5264384