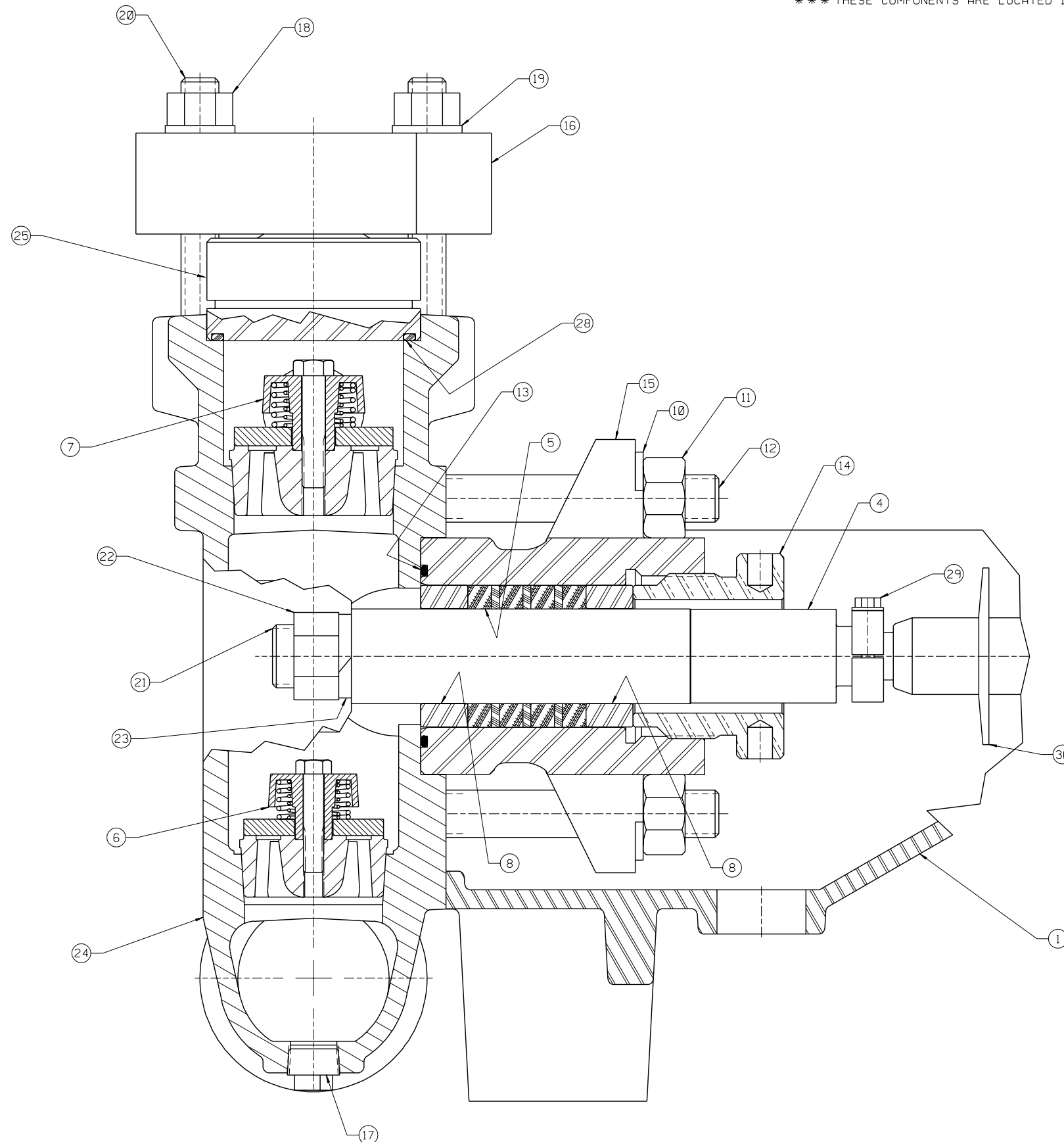


* THESE COMPONENTS ARE LOCATED IN THE STUFFING BOX GROUP, ITEM ③
 ** THESE COMPONENTS ARE LOCATED IN THE FLUID CYLINDER GROUP, ITEM ②
 *** THESE COMPONENTS ARE LOCATED IN THE POWER END, ITEM ①



ITEM	NO. RECD	PART NO.	PART NAME
①	1	3265542	POWER END:
②	1	3265871	FLUID CYLINDER GROUP:
③	3	P500727	STUFFING BOX GROUP:
④	3	P500584	PLUNGER: 1½" DIA, TUNGSTEN
⑤	3	3265005	PACKING SET: TEF/KEV
⑥	3	3263845	VALVE ASSEMBLY: TIT/SST, SUCTION
⑦	3	3263848	VALVE ASSEMBLY: TIT/SST, DISCHARGE
⑧	6	5262867	THROAT BUSHING/FOLLOWER:
⑨	1	5266236	LIT KIT:
* ⑩	6	320951	FLAT WASHER: ¾", SST
* ⑪	6	1109316	HEX NUT: ¾"-10, SST
* ⑫	6	5262887	STUD: ¾"-10 UNC-2A, 5.25 LG, SST
* ⑬	3	320337	O-RING: 2⅞" OD X ⅛" NOM., BUNA-N
* ⑭	3	P500743	ADJUSTING NUT:
* ⑮	3	P500726	STUFFING BOX:
** ⑯	3	5262885	VALVE COVER CLAMP:
** ⑰	3	320071	PLUG: ¾" NPT, SST
** ⑱	6	1109316	HEX NUT: ¾"-10, SST
** ⑲	6	320951	FLAT WASHER: ¾", SST
** ⑳	6	5262886	STUD: ¾"-10 UNC-2A, 6.13 LG, SST
** ㉑	2	5266592	STUD: 1"-8 UNC-2A, 4.63 LG, SST
** ㉒	2	320443	HEX NUT: 1"-8, SST
** ㉓	2	320442	LOCK WASHER: 1", SST
** ㉔	1	5264119	FLUID CYLINDER:
** ㉕	3	5264371	VALVE COVER:
** ㉖	2	1177203	CAPLUG: INT. 20S (NOT SHOWN)
** ㉗	2	1120444	CAPLUG: INT. 501 (NOT SHOWN)
** ㉘	3	A90-232	O-RING: 3" OD X ⅛" NOM., BUNA-N
** ㉙	3	1252143	CLAMP ASSEMBLY:
** ㉚	1	5262851	SHEILD DEFLECTOR:

NOTES:

- 1 TORQUE FASTENERS PER FMC ENGR SPEC AS-22
- 2 TEST PUMP PER FMC ENGR SPEC AS-15
- 3 STAMP NAMEPLATE PER FMC ENGR SPEC AS-21
- 4 PAINT PUMP PER FMC ENGR SPEC CP-20

This drawing is the property of FMC Corporation, and may not be used, reproduced, published, or disclosed to others, without express authorization FMC Corp.		FMC Corporation Fluid Control Division 2825 W. Washington Box 1377 Stephenville, Texas 76481	
Unless Otherwise Specified: Remove all burrs & sharp corners .005 R. All diameters concentric unless .001 I.D.C.		PUMP ASSEMBLY M1212 DI, W/3" NPT X 1-1/2" NPT FLUID END, TUNGSTEN PLGR, TEF/KEV PKG & TIT/SST DISC VALVE ASSEMBLIES	
B REV BOM A NEW RELEASE REV WAS	SJK 10-19-01 MLP 11-08-96 ECN BY DATE	RELEASED FOR PRODUCTION ECN DATE 5000463 11-15-96	DRAWN MLP 11-08-96 SCALE: NONE CKD. SL 11-12-96 SIZE DRAWING NO. APPD. RMc 11-13-96 D P500725

P500725