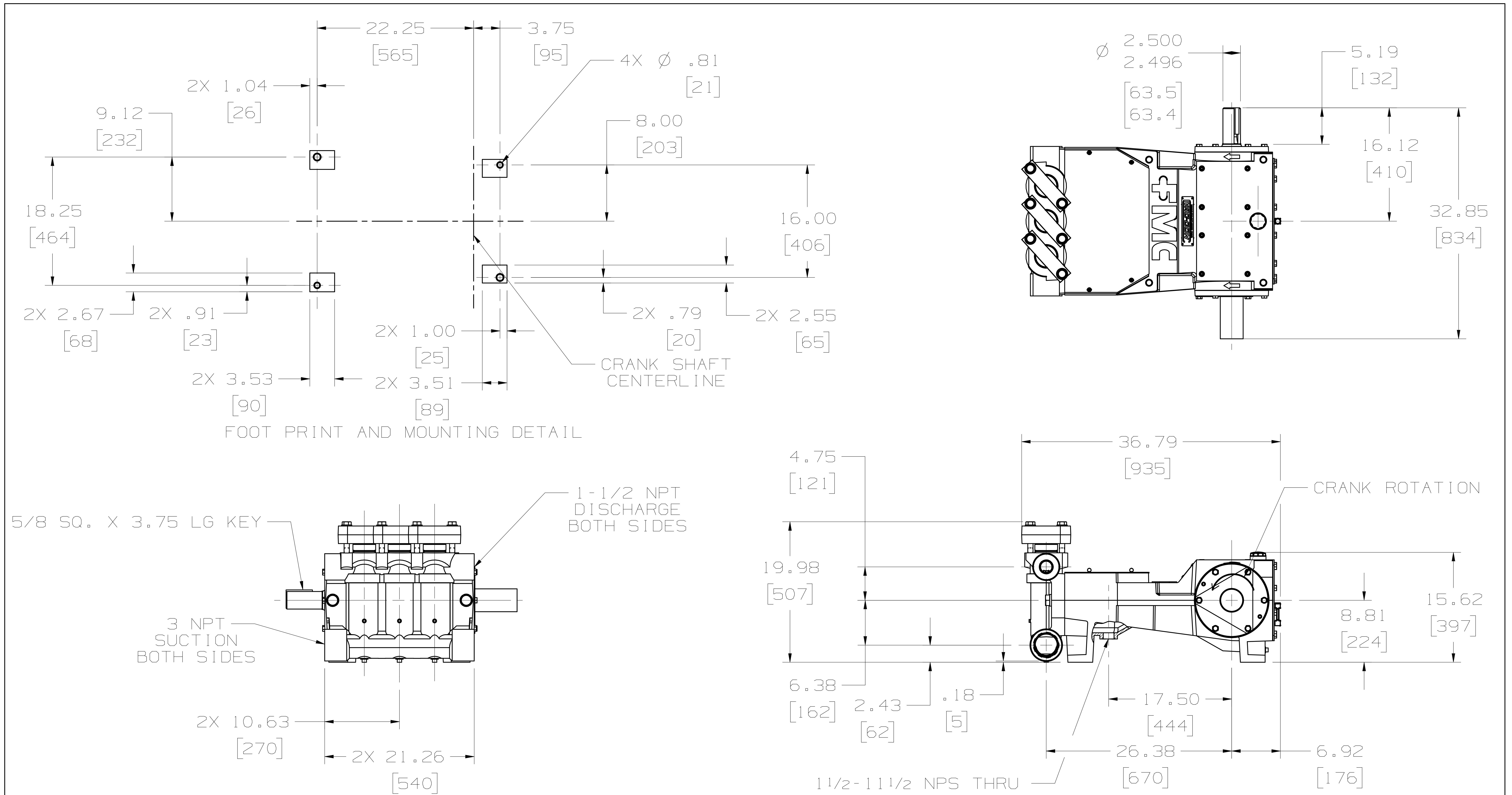


ITEM	DESCRIPTION	QTY
1	POWER END ASSEMBLY:	1
2	FLUID CYLINDER:	1
3	VALVE ASSEMBLY:	3
4	VALVE ASSEMBLY:	3
5	STUFFING BOX:	3
6	PACKING:	3
7	PLUNGER:	3
8	THROAT BUSHING/FOLLOWER;	3
9	ADJUSTING NUT:	3
10	VALVE COVER:	3
11	VALVE COVER CLAMP CASTING:	3
12	CRADLE COVER:	1
13	SPRING:	3
14	COMPRESSOR RING: 1.57 x 2.19 x .080	3
15	O-RING: UNIFORM #232	6
16	CAP SCREW: HEX HEAD, 1 X 3.50 LG	2
17	CAP SCREW: HEX HEAD, 3/4 X 4.00 LG	6
18	CAP SCREW: HEX HEAD, 3/4 X 5.00 LG	6
19	LOCK WASHER: REGULAR, 1	2
20	FLAT WASHER: TYPE A, 3/4 N	12
21	PLUG: 1/8 NPT	3
22	PIPE PLUG: SQ HEAD, 3/4 NPT	3
23	SHAFT GUARD:	1
24	SELF TAPPING SCREW:	4
25	NAMEPLATE: VAC-CON	1
26	CAPLUG:MODEL 20-S (NOT SHOWN)	2
27	CAPLUG:MODEL T-501 (NOT SHOWN)	2

PRIVATE AND CONFIDENTIAL THIS DOCUMENT AND ALL THE INFORMATION CONTAINED HEREIN ARE THE CONFIDENTIAL AND EXCLUSIVE PROPERTY OF FMC TECHNOLOGIES AND MAY NOT BE REPRODUCED, USED, DISCLOSED, OR MADE PUBLIC IN ANY MANNER PRIOR TO EXPRESS WRITTEN AUTHORIZATION BY FMC TECHNOLOGIES. THIS DOCUMENT IS ACCEPTED PURSUANT TO AGREEMENT TO THE FOREGOING, AND MUST BE RETURNED UPON DEMAND. MANUFACTURER AGREES THAT ARTICLES MADE IN ACCORDANCE WITH THIS DOCUMENT SHALL BE CONSIDERED FMC TECHNOLOGIES' DESIGN, AND THAT IDENTICAL ARTICLES OR PARTS THEREOF SHALL NOT BE MANUFACTURED FOR THE USE OR SALE BY MANUFACTURER OR ANY OTHER PERSON OR ENTITY WITHOUT PRIOR EXPRESS WRITTEN AUTHORIZATION BY FMC TECHNOLOGIES.	UNLESS OTHERWISE SPECIFIED DO NOT SCALE THIS DRAWING ALL DIMENSIONS ARE IN INCHES (MM) BREAK SHARP EDGES .015 (1.381) MAXIMUM INSIDE CORNER RADIUS .030 (1.762) MAXIMUM THREADS CONFORM TO FEDERAL STANDARD H-28 TAPERED THREADS CONFORM TO API 6A BOLT HOLES MUST STRADDLE COMMON CENTERLINE FINISH 250 RMS ALL DIA'S CONCENTRIC WITHIN .010 (1.254) T.I.R.	TOLERANCE .X -- ± .030 (1.762) .XX -- ± .015 (1.381) .XXX -- ± .005 (1.271) ANGLE -- ± 30°	DESCRIPTION PUMP ASSEMBLY; M1212 SC DBL EXT, W/3 NPT X 1-1/2 NPT FLUID END, BRAIDED RING PKG, AR VALVE ASSEMBLIES	DRAWN BY: LOUDERMILK, STEVE	DATE: 10-DEC-2009	FMC Technologies
				DRAFTING CHECK: LOUDERMILK, STEVE	DATE: 11-DEC-2009	
MANUFACTURING APPROVAL: CRUZ, GEORGE		DATE: 15-DEC-2009	LATEST REV. NO.: 5022769	REV.: B	DRAWING NUMBER: DU500012159	
APPROVED BY: SINGLETERRY, RONALD		DATE: 16-DEC-2009	COPYRIGHT FMC TECHNOLOGIES			



PRIVATE AND CONFIDENTIAL

THIS DOCUMENT AND ALL THE INFORMATION CONTAINED HEREIN ARE THE CONFIDENTIAL AND EXCLUSIVE PROPERTY OF FMC TECHNOLOGIES AND MAY NOT BE REPRODUCED, USED, DISCLOSED, OR MADE PUBLIC IN ANY MANNER PRIOR TO EXPRESS WRITTEN AUTHORIZATION BY FMC TECHNOLOGIES. THIS DOCUMENT IS ACCEPTED PURSUANT TO AGREEMENT TO THE FOREGOING, AND MUST BE RETURNED UPON DEMAND.

MANUFACTURER AGREES THAT ARTICLES MADE IN ACCORDANCE WITH THIS DOCUMENT SHALL BE CONSIDERED FMC TECHNOLOGIES' DESIGN, AND THAT IDENTICAL ARTICLES OR PARTS THEREOF SHALL NOT BE MANUFACTURED FOR THE USE OR SALE BY MANUFACTURER OR ANY OTHER PERSON OR ENTITY WITHOUT PRIOR EXPRESS WRITTEN AUTHORIZATION BY FMC TECHNOLOGIES.

ENGINEERING DIMENSIONAL OUTLINE

DESCRIPTION

PUMP ASSEMBLY; M1212 SC DBL EXT, W/3 NPT X 1-1/2 NPT FLUID END, BRAIDED RING PKG, AR VALVE ASSEMBLIES

DRAWN BY: LOUDERMILK, STEVE	DATE: 10-DEC-2009
DRAFTING CHECK: LOUDERMILK, STEVE	DATE: 11-DEC-2009
DESIGN REVIEW: LYON, TIM	DATE: 16-DEC-2009
MANUFACTURING APPROVAL: CRUZ, GEORGE	DATE: 15-DEC-2009
APPROVED BY: SINGLETERRY, RONALD	DATE: 16-DEC-2009

FMC Technologies

LATEST ECN NO. 5022769 REV. B

DRAWING NUMBER
DU500012159

COPYRIGHT FMC TECHNOLOGIES