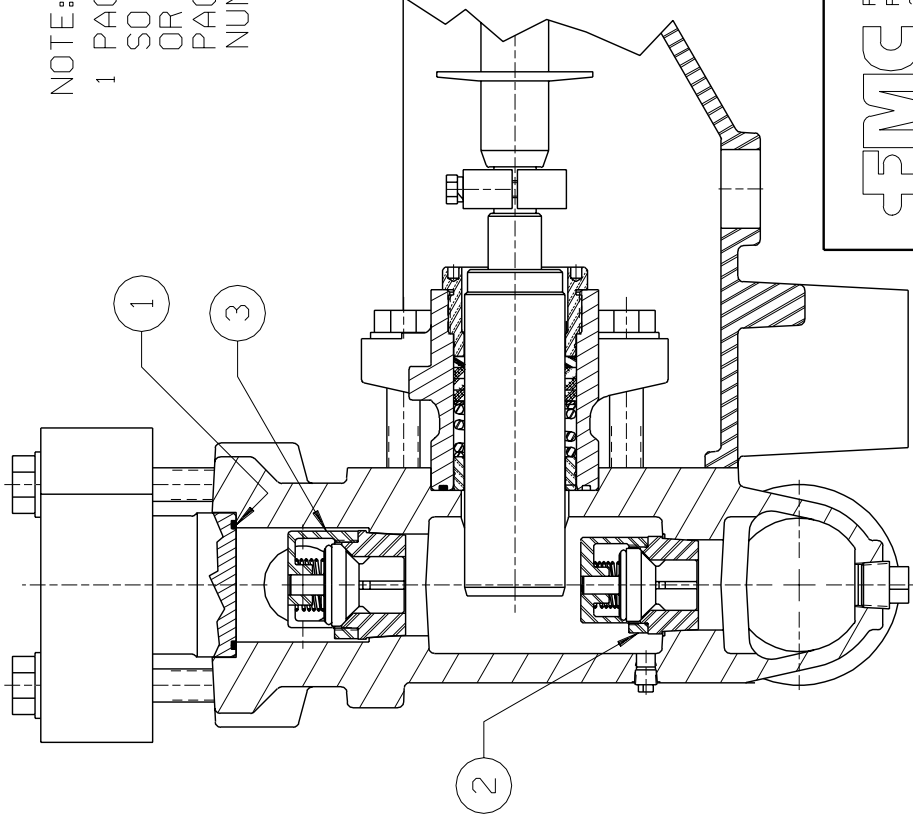


* ③	3	5273330	VALVE ASSY: DISCHARGE, AR, HP
* ②	3	5273331	VALVE ASSY: SUCTION, AR, HP
①	3	320942	O-RING: 2 7/8" OD X 1/8" NOM, TEFLON
ITEM	NO.	PART NO.	PART NAME
REQD			

* VALVE SEAT PULLER USED WITH THESE VALVES IS P.N. 5276357



NOTE:

1 PACKAGE ALL COMPONENTS
SO AS TO PREVENT LOSS
OR DAMAGE. TAG OR LABEL
PACKAGE WITH KIT PART
NUMBER.



FMC Corporation
Fluid Control Division
2825 W. Washington Box 1377
Stephenville, Texas 76401

VALVE REPAIR KIT

F/M1218SC, AR VALVES

REV	NEW RELEASE	WAS	ECN	BY	DATE
A					SJK 12-01-97

RELEASED FOR PROD	This drawing is the property of FMC Corporation, and may not be used, reproduced, published, or disclosed to others, without express authorization FMC Corp.				
ECN	DATE				
5001614	12-05-97				

DRAWN	SJK	12-01-97	SCALE:	NONE
CKD.	MLP	12-03-97	SIZE	DRAWING NO.
APPD.	RMc	12-03-97	A	P504319

P504319