

ITEM	NO. REQD	PART NO.	PART NAME
1	1	3265082	POWER FRAME: W/ADDED 1/2 NPT
2	1	5262832	CRANKSHAFT:
3	2	320313	BEARING CONE: (NOT SHOWN)
4	2	320312	BEARING CUP: (NOT SHOWN)
5	2	5262844	OIL SEAL: CRANKSHAFT (NOT SHOWN)
6	2	5262848	BEARING CAP GASKET:
7	10	5262849	BEARING CAP SHIM:
8	2	5262843	BEARING HOUSING:
9	12	1100064	HEX HD CAP SCREW: 1/2-13 X 1 1/2" LG.
10	1	5262847	BACKCOVER GASKET:
11	1	5262839	BACKCOVER WELDMENT:
12	12	1106980	HEX HD CAP SCREW: 1/2-13 X 3/4" LG.
13	1	1177199	CAPLUG: INT. 9 (NOT SHOWN)
14	1	A5054	OIL CAP:
15	1	1187048	PLUG: 1/2" PIPE, MAG. SQ. HD.
16	6	P506675	ROD BEARING
17	3	3268277	CONNECTING ROD ASSY: W/NEEDLE BRG
18	3	P509820	WRIST PIN:
19	3	5262836	PLUNGER ROD/CROSSHEAD ASSEMBLY:
20	3	1103470	SET SCREW: 5/16-18 X 1/2" LG.,(NOT SHOWN)
21	6	P501999	OIL SEAL:
22	3	P502045	SEAL HOLDER:
23	6	3238142	HEX SOC SCREW: 3/8-16 X 1 1/4" LG.
24	3	5264602	OIL SEAL HOLDER GASKET:
25	4	320319	THUMB SCREW: 1/4-20 X 1/2" LG.
26	1	P502664	ACCESS COVER:
27	1	5277980	NAMEPLATE:
28	4	1187413	SELF-TAPPING SCREW: #4 X 3/16 LG.
29	1	5271593	KEY: 5/8" SQ. X 3 3/4" LG.
30	1	3264641	ACCESSORY GROUP:
31	3	5262851	SHIELD DEFLECTOR:
32	3	1252143	CLAMP ASSEMBLY:
33	4	1177197	CAPLUG: INT-EXT. 4 (NS)
34	1	3264509	LUBRICATOR GROUP:
35	2	1113543	DOWEL PIN: 3/4" DIA X 2" LG.
36	1	5267123	SIGHT GAGE:
37	1	3264733	LUBRICATOR:
38	6	1181235	CONNECTOR ELBOW:
39	1	1107395	V-BELT: A-35
40	3	5270937	CHECK VALVE: (N/S)
41	1	5271514	GUARD:
42	1	5271584	SHEAVE: 5.0 OD
43	12 FT	3263720	TUBING: 1/4" OD X .035 WALL
44	1	5271587	SHEAVE: 6.0 OD X 5/8" BORE
45	12	3235702	HEX NUT: 1/2"-13
46	4	3263825	STUD: 1/2"-13 X 3.50 LG, FULL THREAD
47	2	3263841	3 TUBE GANG STRAP: F/.25 DIA TUBING
48	4	1187413	SELF-TAPPING SCREW: #4 X 3/16" LG

△

△

△

△

*

*

**

**

**

**

**

**

**

**

**

**

**

**

**

**

**

**

**

**

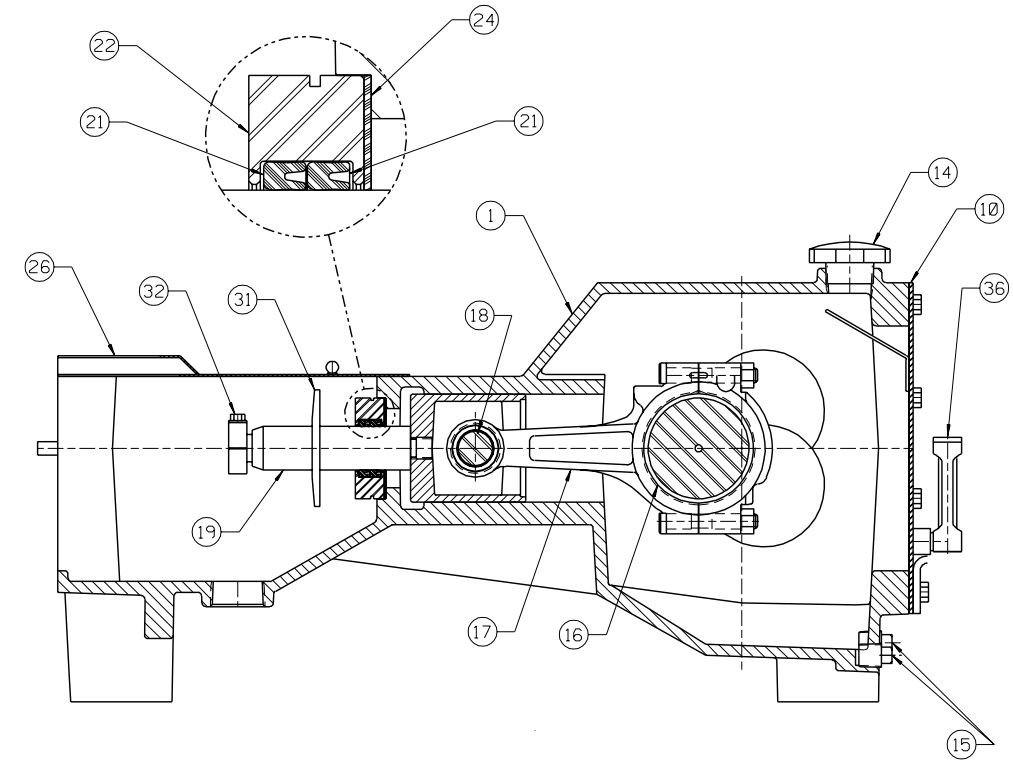
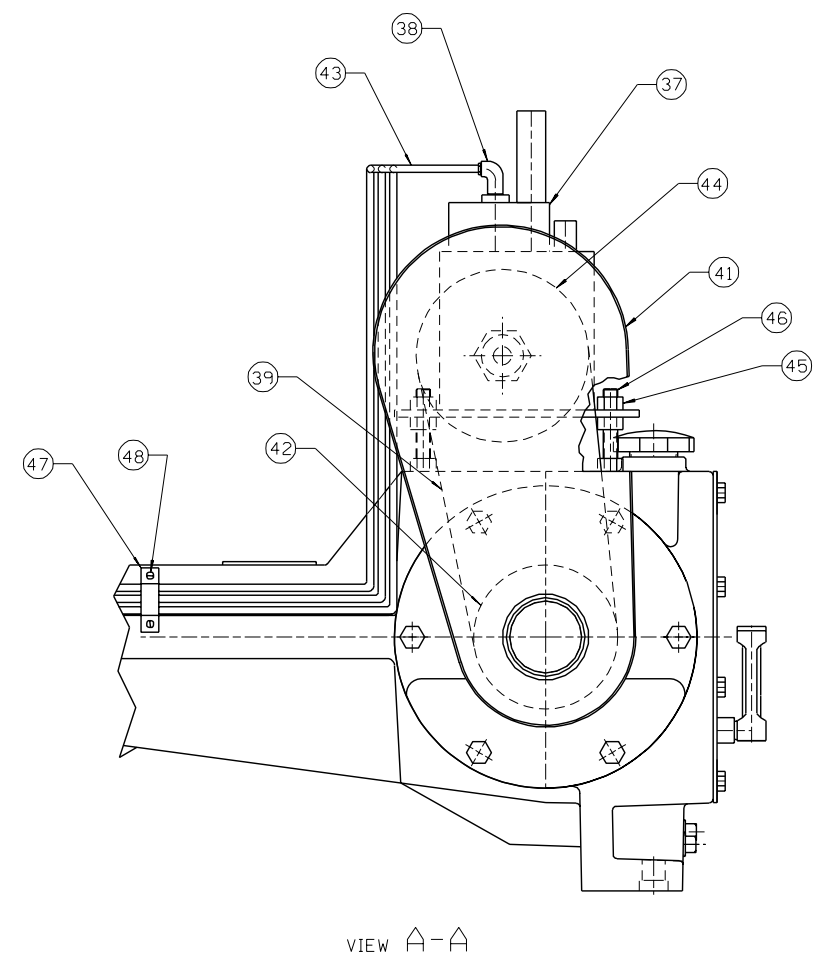
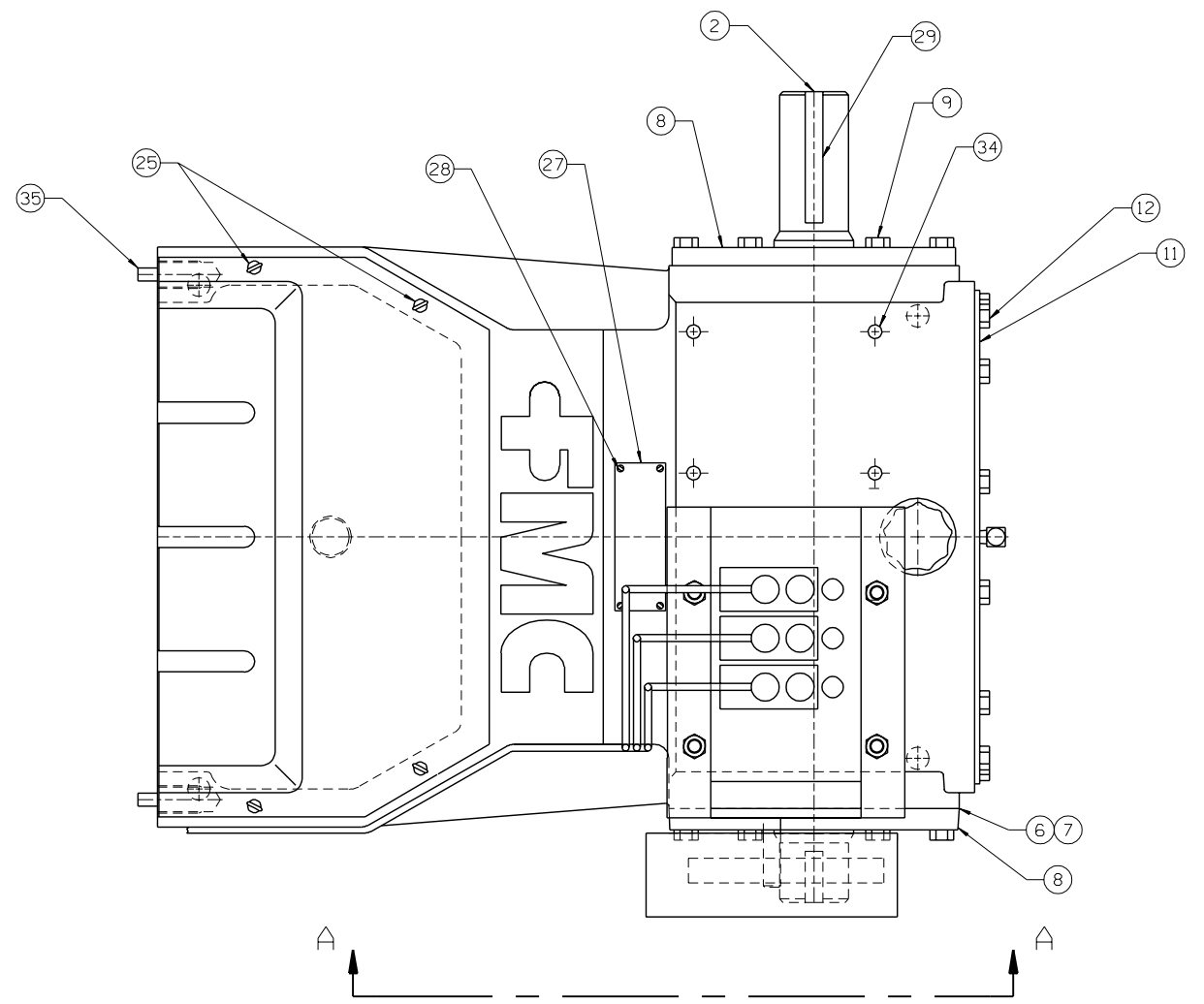
**

**

**

* THESE COMPONENTS ARE LOCATED IN THE ACCESSORY GROUP, ITEM (30)

** THESE COMPONENTS ARE LOCATED IN THE LUBRICATOR GROUP, ITEM (34)



<p>This drawing is the property of FMC Corporation, and may not be used, reproduced, published, or disclosed to others, without express authorization FMC Corp.</p>		<p>FMC Corporation Fluid Control Division 2825 W. Washington Box 1377 Stephenville, Texas 76481</p>																
<p>Unless Otherwise Specified: Remove all burrs & sharp corners .005 R. All diameters concentric within .001 I.D. Angles ±1/2° .XX ±.015 .XXX ±.005 Finish 125 RMS All dimensions are in inches</p>		<p>POWER END ASSEMBLY F/M12 LH, W/NEEDLE BEARINGS & MECHANICAL LUBRICATOR</p>																
D	REVISE BOM	5004598	DRG 06-01-00	<p>RELEASED FOR PRODUCTION</p> <table border="1"> <tr> <th>ECN</th> <th>DATE</th> <th>DRAWN</th> <th>SJK</th> <th>11-18-98</th> <th>SCALE:</th> <th>NONE</th> </tr> <tr> <th>CKD.</th> <th>WES</th> <th>12-07-98</th> <th>SIZE</th> <th>DRAWING NO.</th> <th colspan="2">P507595</th> </tr> </table>	ECN	DATE	DRAWN	SJK	11-18-98	SCALE:	NONE	CKD.	WES	12-07-98	SIZE	DRAWING NO.	P507595	
ECN	DATE	DRAWN	SJK		11-18-98	SCALE:	NONE											
CKD.	WES	12-07-98	SIZE	DRAWING NO.	P507595													
C	REV BOM	5004168	DRG 01-07-00	<p>APPD. GG</p>	12-10-98													
B	REV BOM	5003211	SJK 02-16-99	<p>REV</p>	12-10-98													
A	NEW ISSUE	1	SJK 11-18-98	<p>REV</p>	12-10-98													
REV	WAS	ECN	BY DATE	<p>5002928 12-11-98</p>														